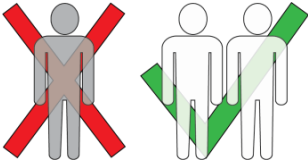
 Made in Finland

## UTU medium vision sauna cabin (SHU1616V) - Installation instructions



Table of contents SHU1616V - sauna cabin			
Description	INFO	Quantity	Check
Wall-elements	width * depth * height		
A1	1600 * 72 * 1017 mm	1 pc	
A2	1600 * 72 * 1017 mm	1 pc	
B1	1570 * 72 * 1017 mm	1 pc	
B2	1570 * 72 * 1017 mm	1 pc	
C1	1600 * 72 * 1017 mm	1 pc	
C2	1600 * 72 * 1017 mm	1 pc	
Roof elementS	width * depth * height		
R1	1520 * 778 * 64 mm	1 pc	
R2	1520 * 798 * 88 mm	1 pc	
Mouldings	width * depth * height		
(outside) back corners	21 * 52 * 2034 mm HT aspen	2 pcs	
(outside) front corners	88 * 28 * 2034 mm HT aspen	2 pcs	
Interior	width * depth * height		
Bench supports (upper bench)	585*28*90 HT aspen	2 pcs	
Bench supports (lower bench)	905*28*90 HT aspen	2 pcs	
Upper bench	1446*600*90 HT aspen	1 pc	
Bench skirt	1446*30*325 HT aspen	1 pc	
Lower bench	1446*400*90 HT aspen	1 pc	
Back rest	1446*36*265 HT aspen	1 pc	
Heater guard	523*347*705 HT aspen	1 pc	
Lighting	Item		
RGBW-LED tubes	width 1400	2 pcs	
Mounting clamps	metal clips	4 pcs	
Power Supply 90W / 24VDC	1-047-869	1 pc	
RGBW LED lights remote units with 1 zone	LR-1Z	1 pc	
RGBW LED Funk Treiber CV 24 V/ 360 Watt	LR12 LC-CV-VP	1 pc	
Heater	Item		
The Wall 6,0 kW (Recommended)	SW60	-	
Stones AC3000 (Recommended)	5 - 10 cm	-	
Full Glass front with black aluminium frames	width * depth * height		
Side parts of aluminium frames	42 * 60 * 1891 mm	2 pcs	
Upper and bottom parts of aluminium frames	1457 * 60 * 42 mm	2 pcs	
Side glass, bronze	674 * 1883 * 8 mm	1 pc	
Door glass, bronze	710 * 1881 * 8 mm	1 pc	
Door handle	SAZ564	1 pc	
Counter part for magnet	ZVEL-259C	2 pc	
Seals for side glass	KIILATIIVISTE	3 pcs	
Frame support wood (SHU1616FS)	57 * 57 * 1951 mm	1 pc	
Ventilation	Item		
AIR Vent, alder	SZ093LE	1 pc	
Air duct, chromium	ZVEL-10	1 pc	
Accessories	Item		
Installation instructions	Y05-1542	1 pc	
Screws and nails	Material		
5*80 mm	(SS) Stainless steel	10 pcs	
5*80 mm	Zn	24 pcs	
4,5*45 mm	(SS) Stainless steel	10 pcs	
4,5*50 mm TX25	Zn	8 pcs	
3*25 mm	(SS) Stainless steel	6 pcs	
4*30 mm	Zn	2 pcs	
1,7*45 mm	dyckert-nail, Zn	10 pcs	
10*10 mm (KT176M)	Frame plug, rubber, black	8 pcs	
Drill bit 3,2 mm	KT224	1 pc	





## Tools required



17 mm



24 mm



5 mm



## Screws

SS = Stainless steel

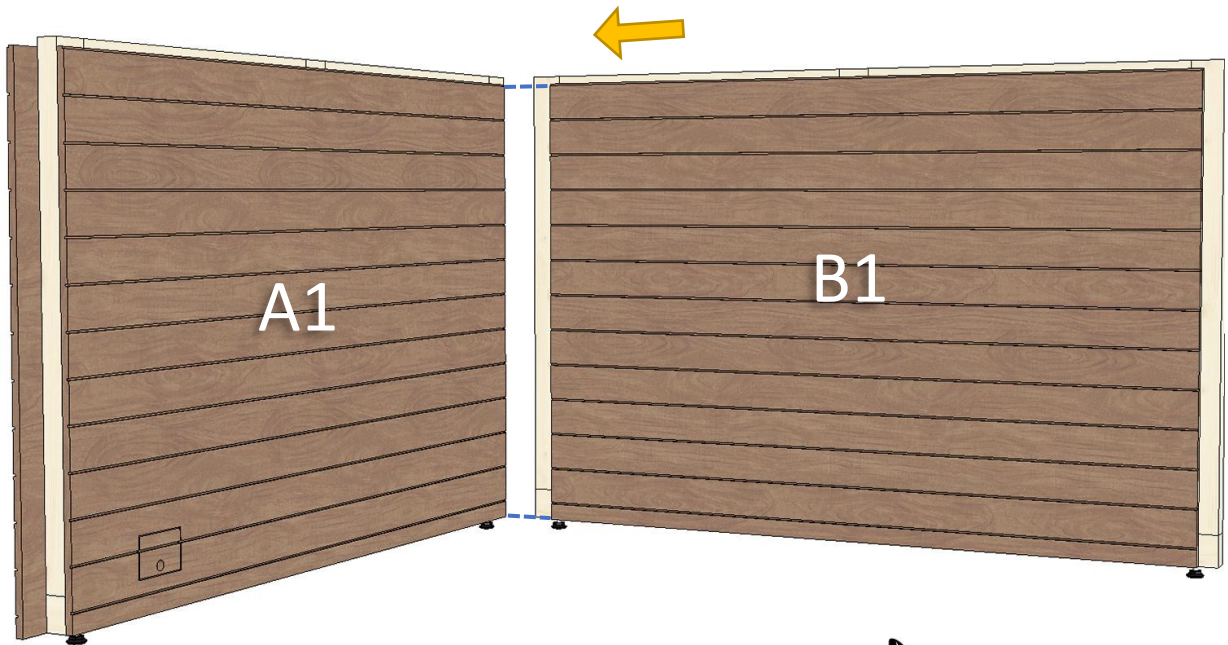
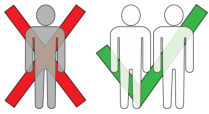
SS x \* x mm

Zn = Zink

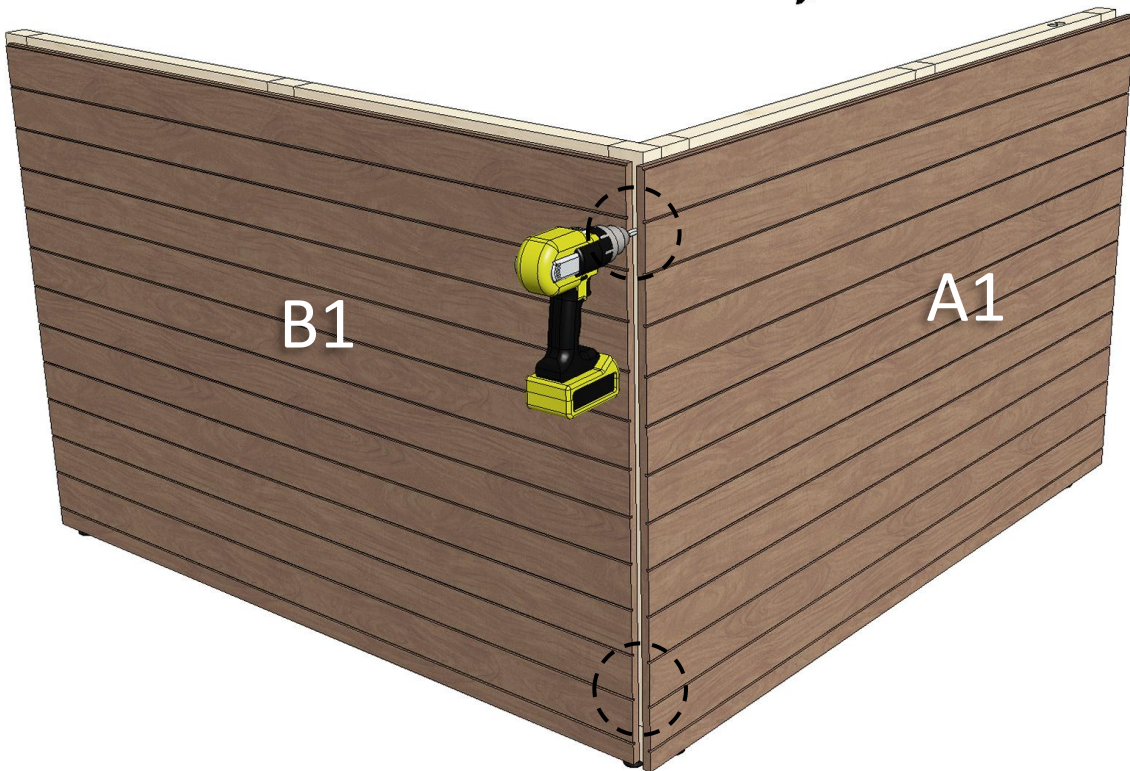
Zn x \* x mm

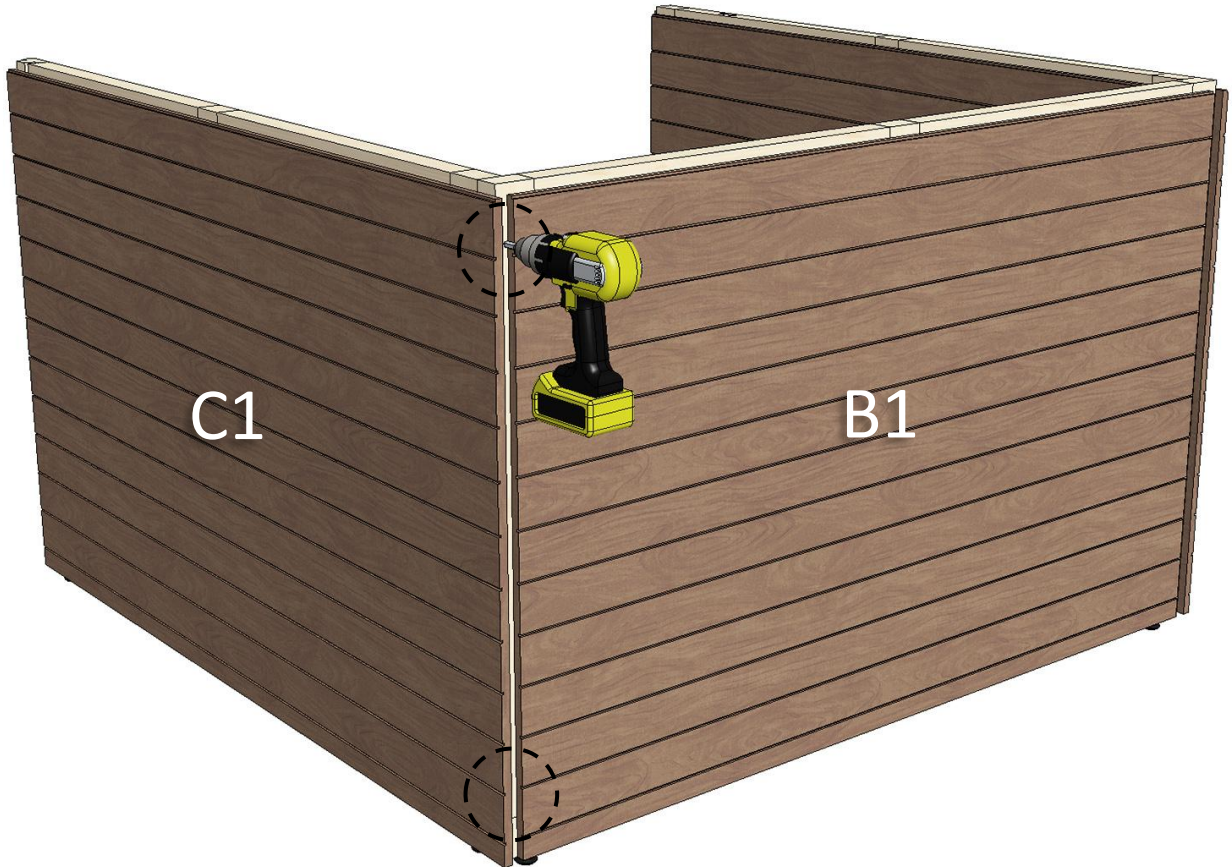
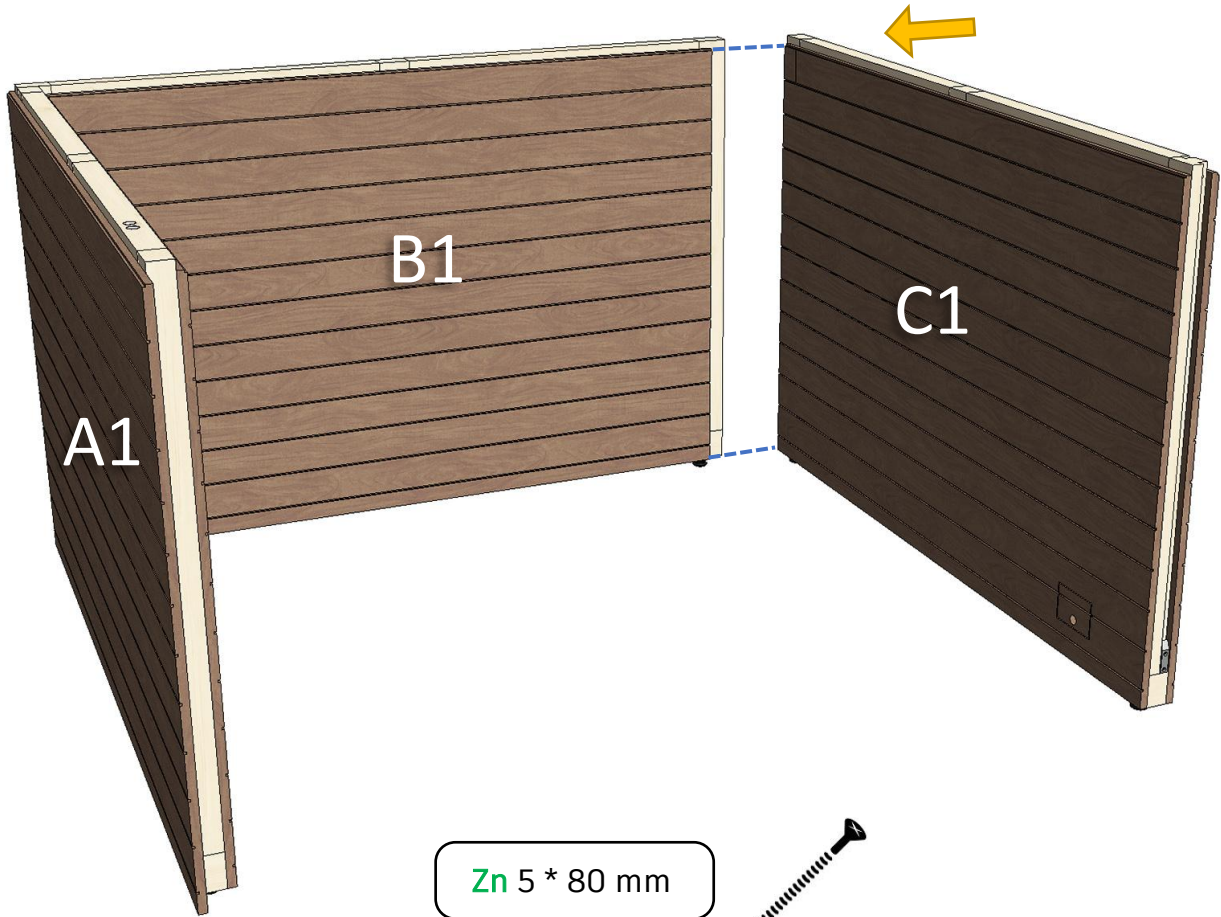


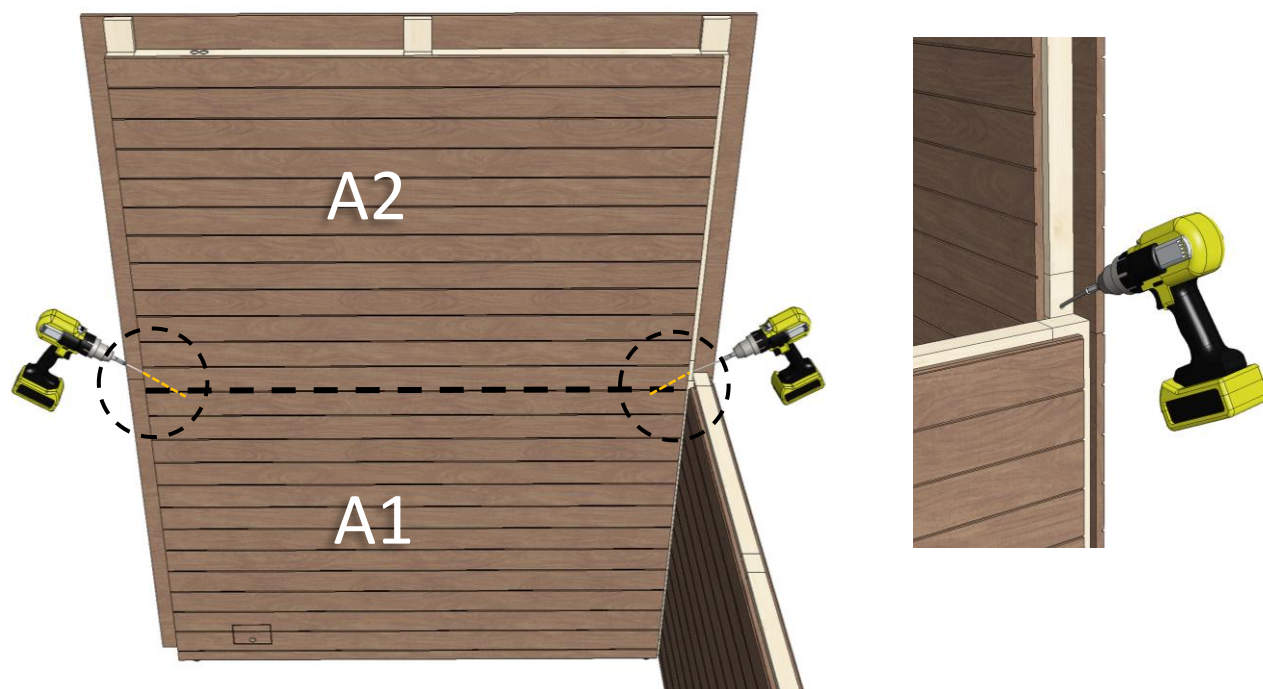
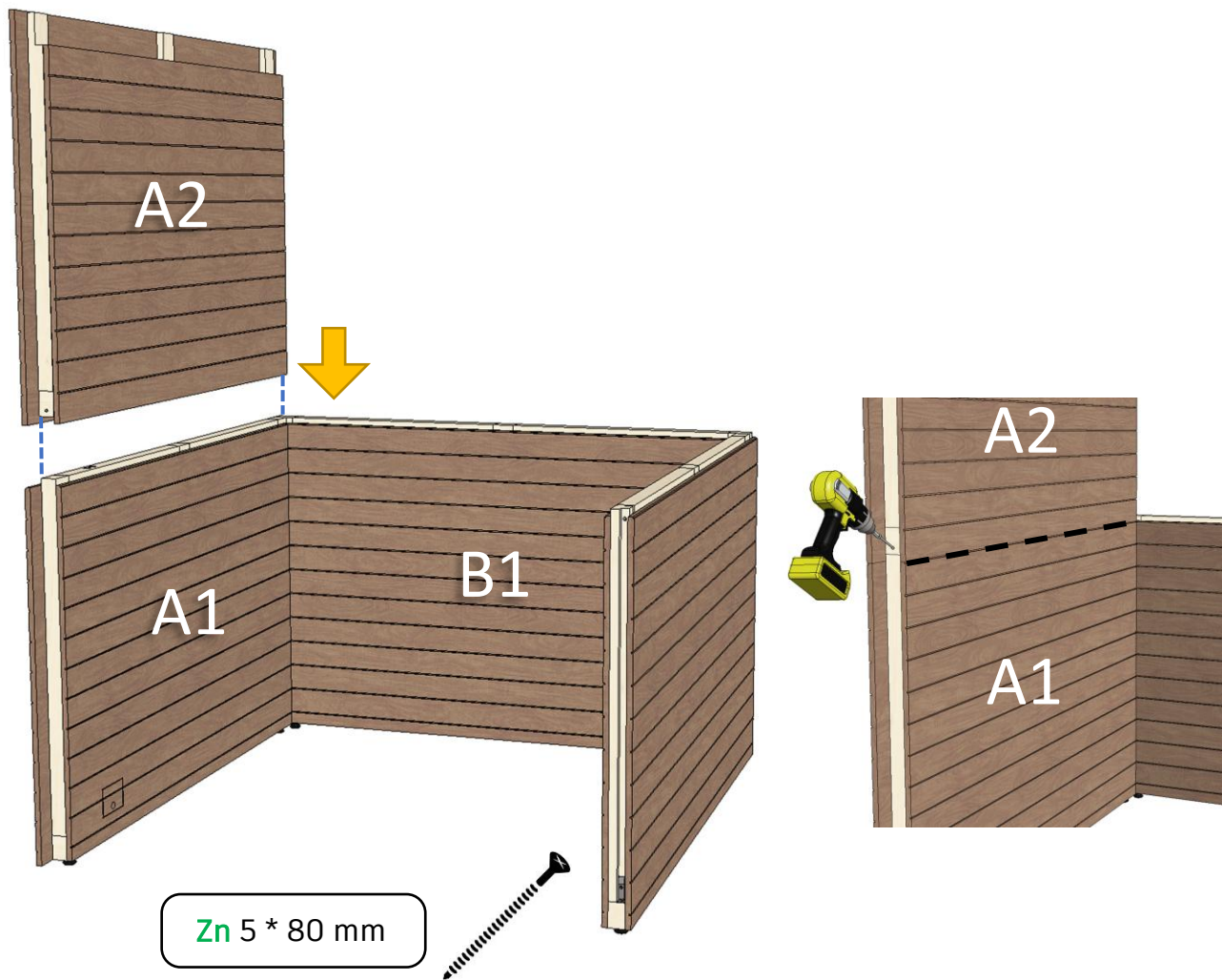
# INSTALLATION OF ELEMENTS

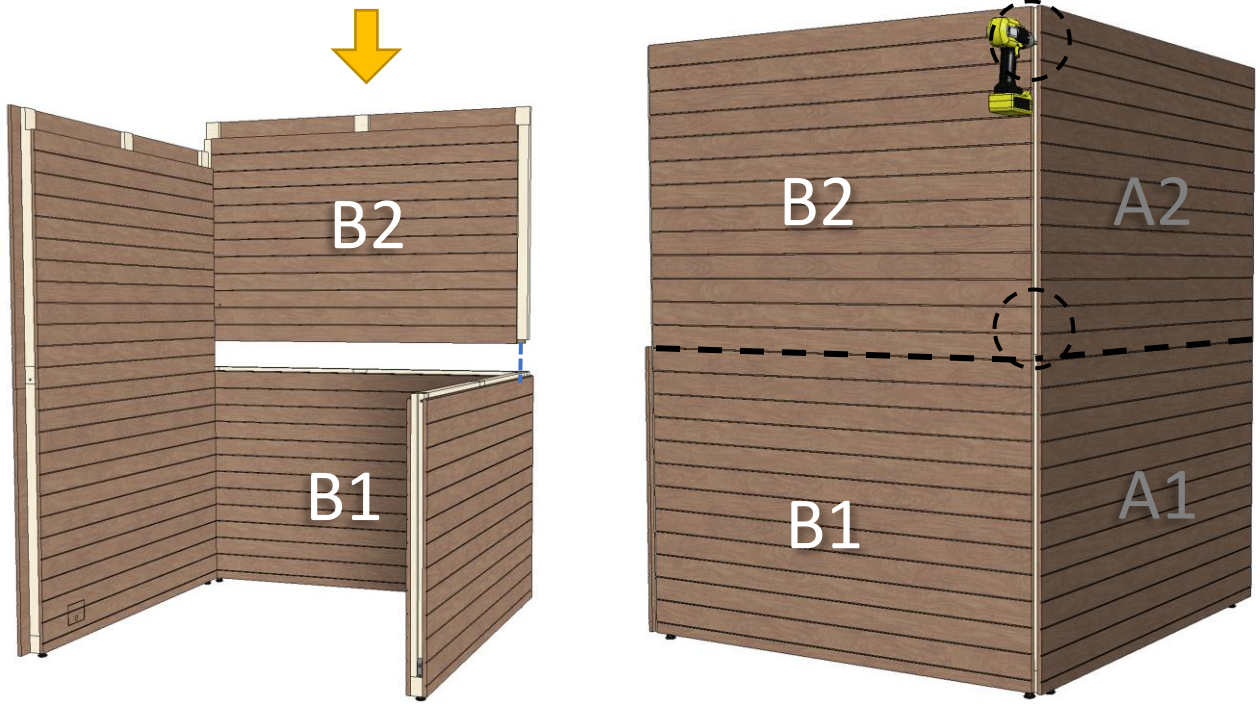


Zn 5 \* 80 mm

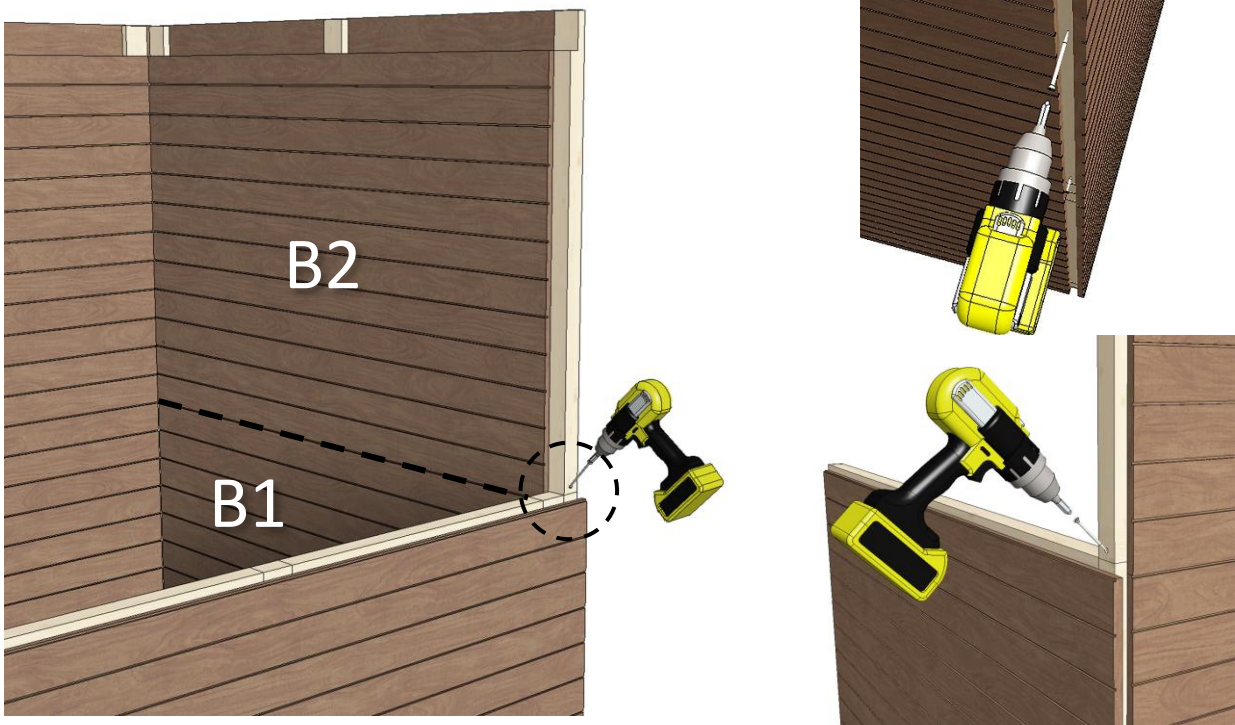


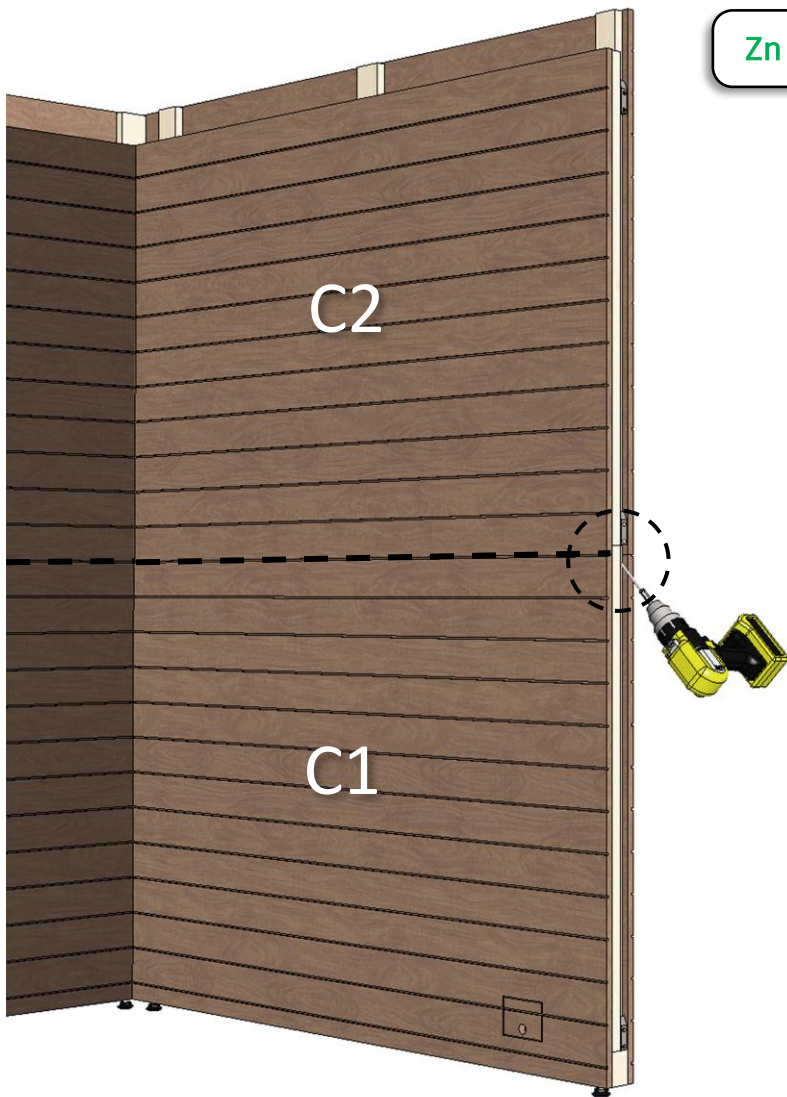
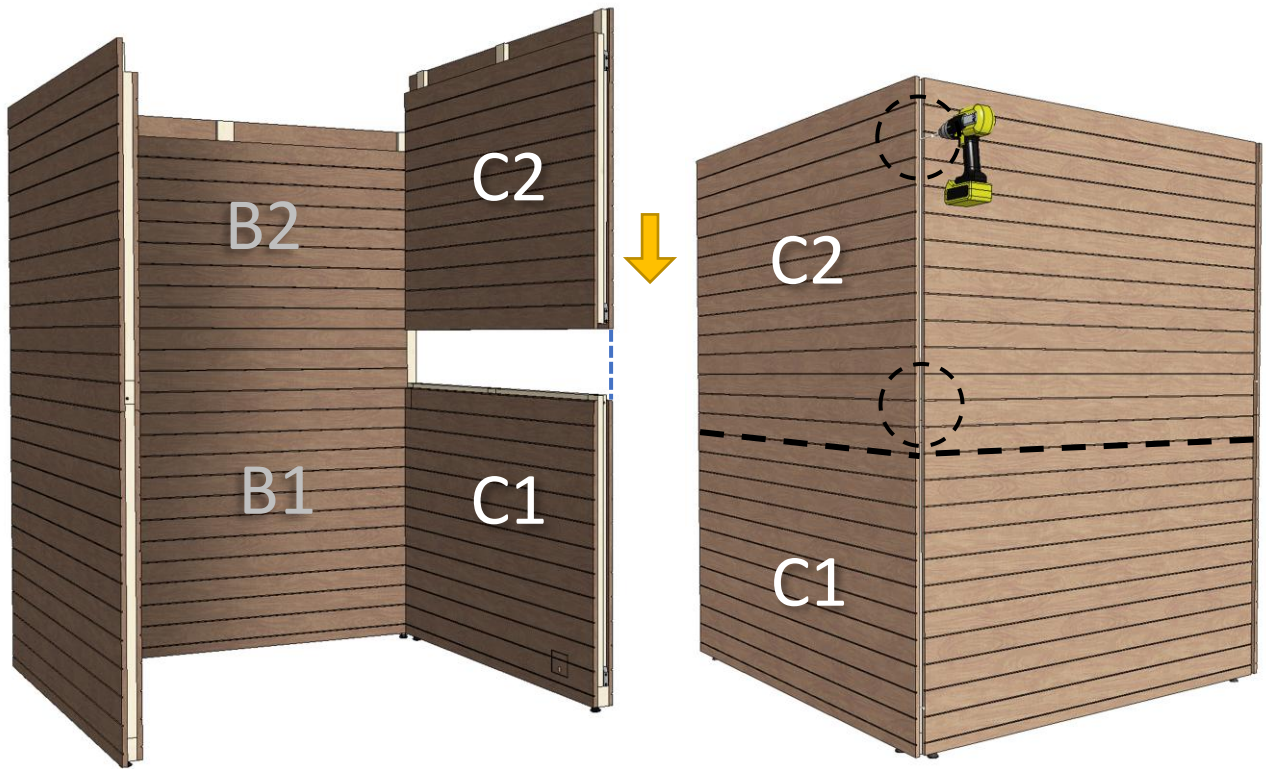






Zn 5 \* 80 mm

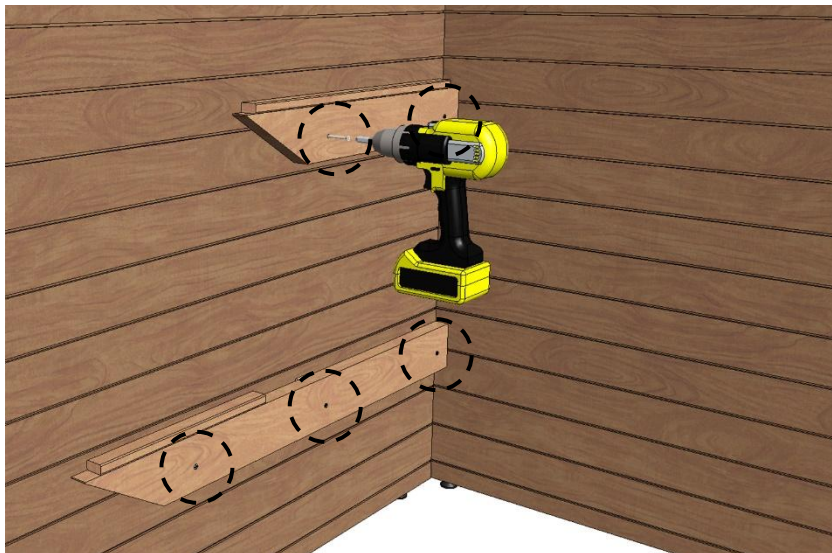
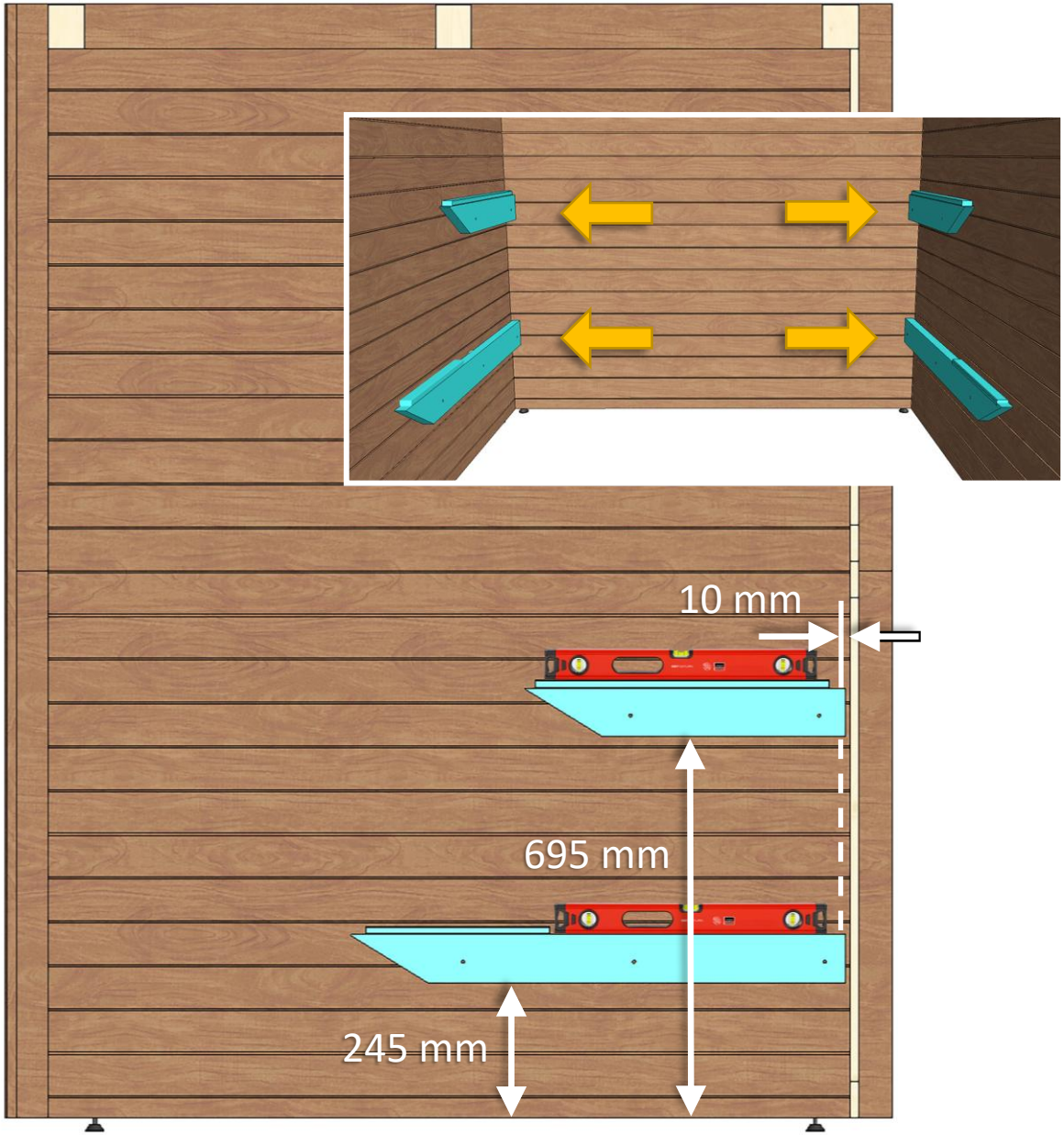




Zn 5 \* 80 mm

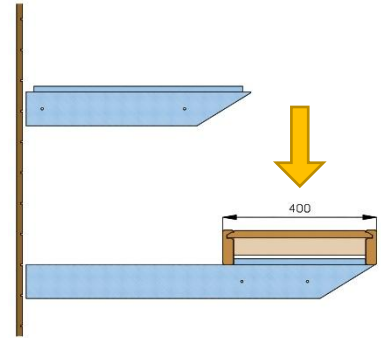


# INSTALLATION OF INTERIOR

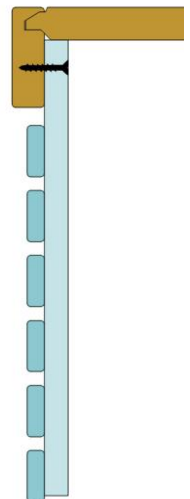
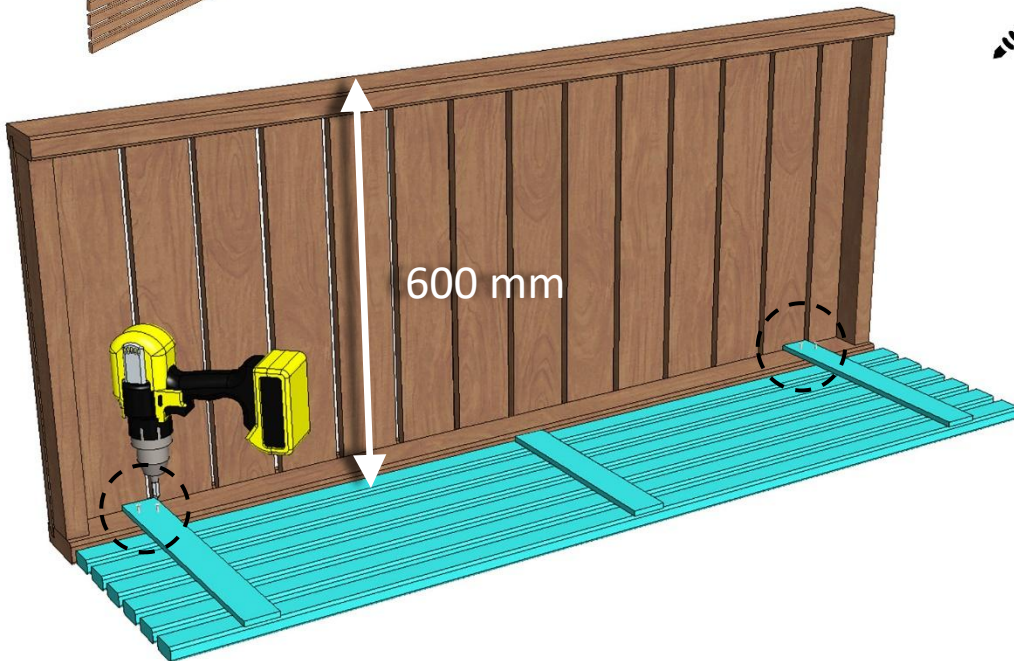


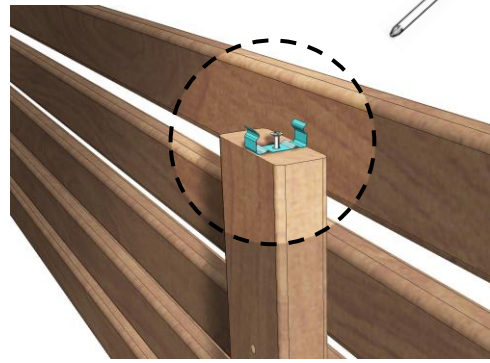
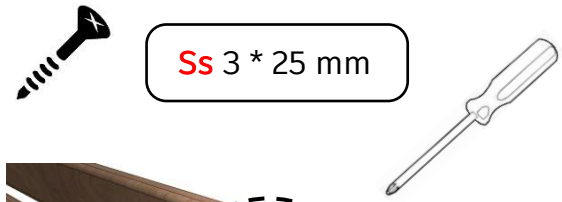
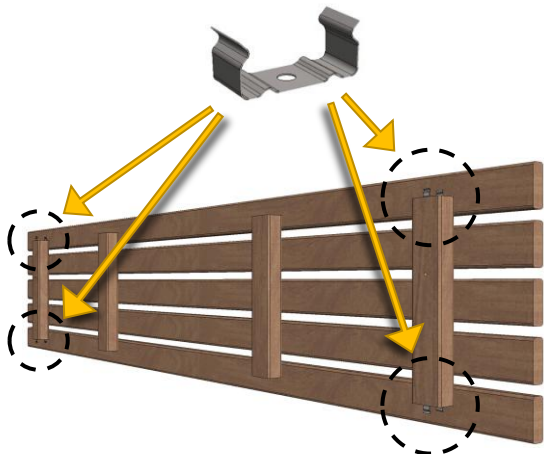
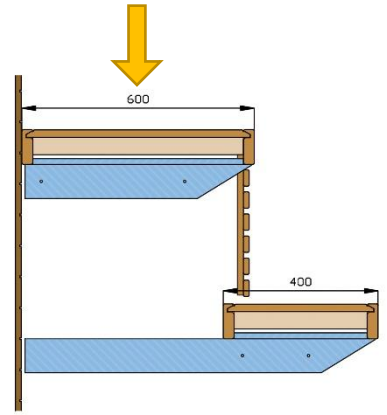
Ss 5 \* 80 mm



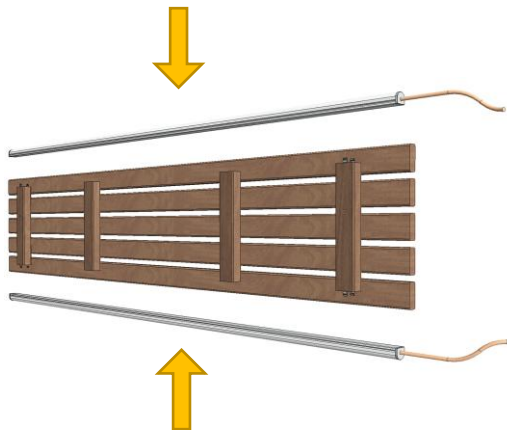


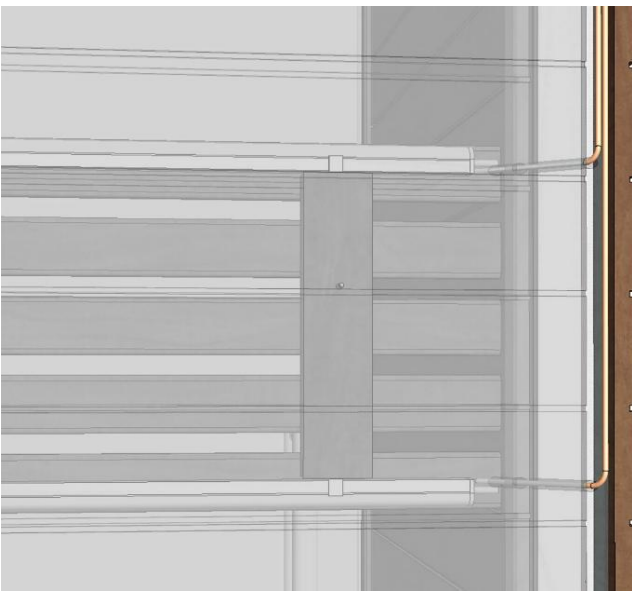
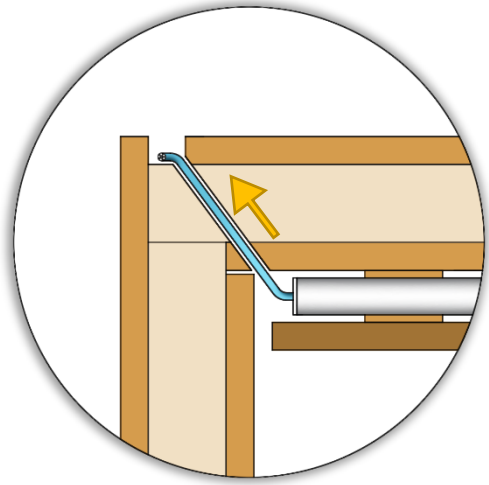
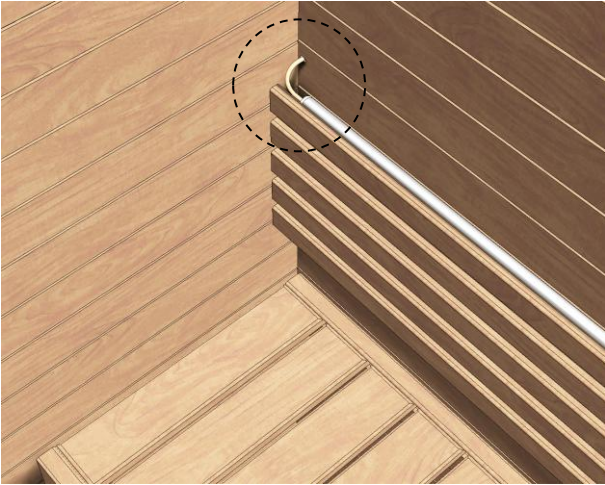
4 pcs **Ss** 4,5 \* 45 mm



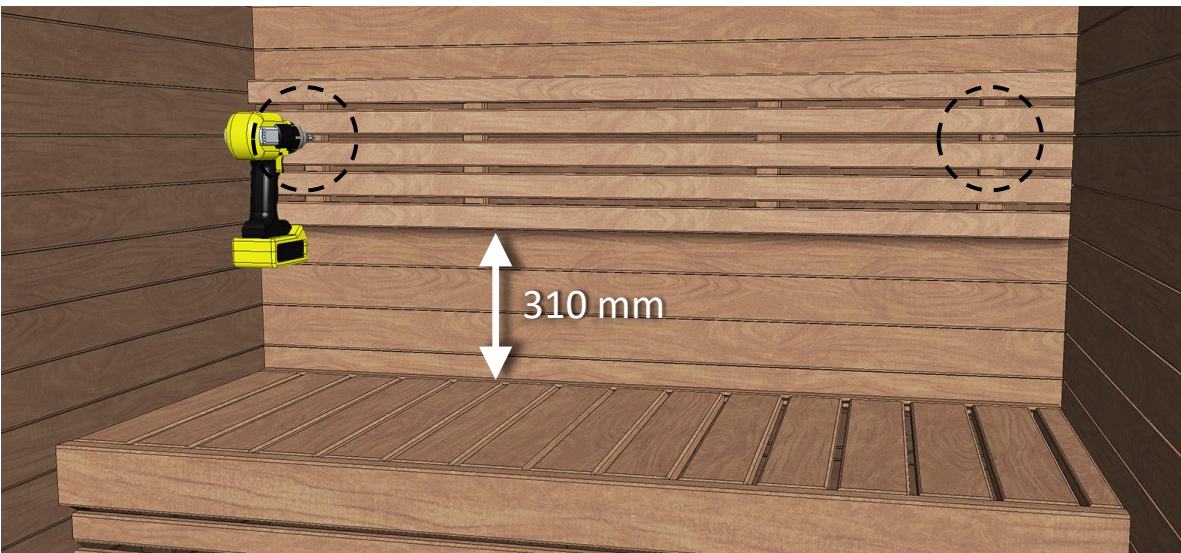


RGBW-LED 24V





Ss 4,5 \* 45 mm





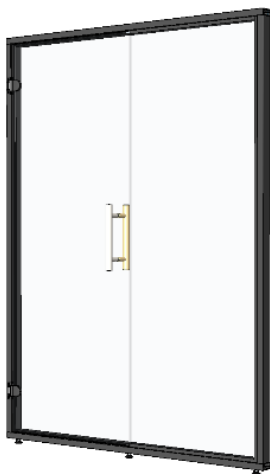
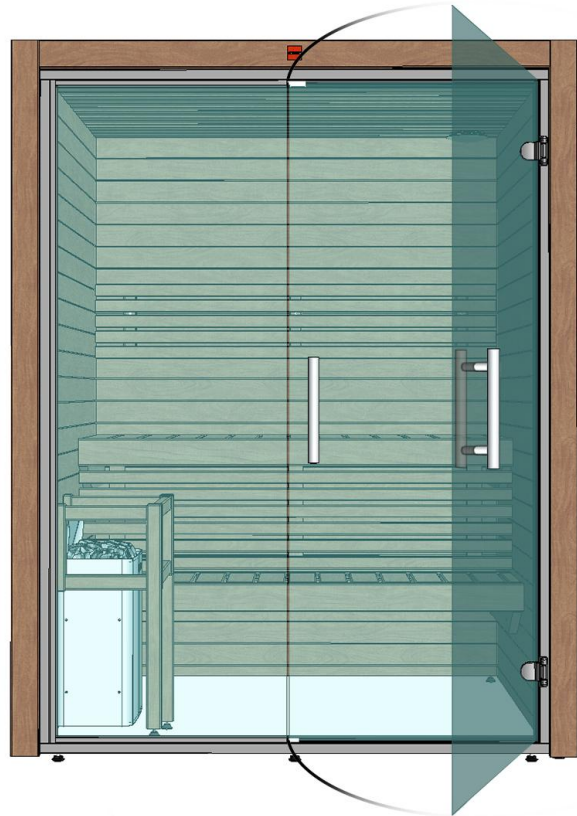
# FRONT WALL FRAMES

Choose handedness!

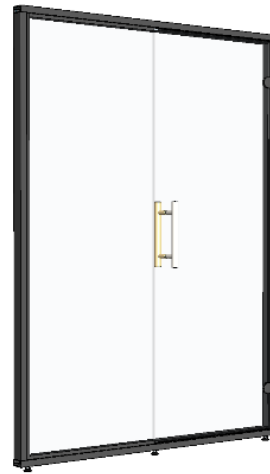
Left handed sauna



Right handed sauna



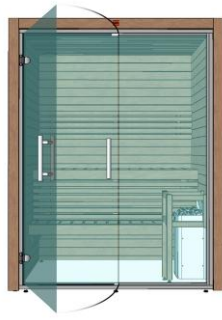
→ Page 14



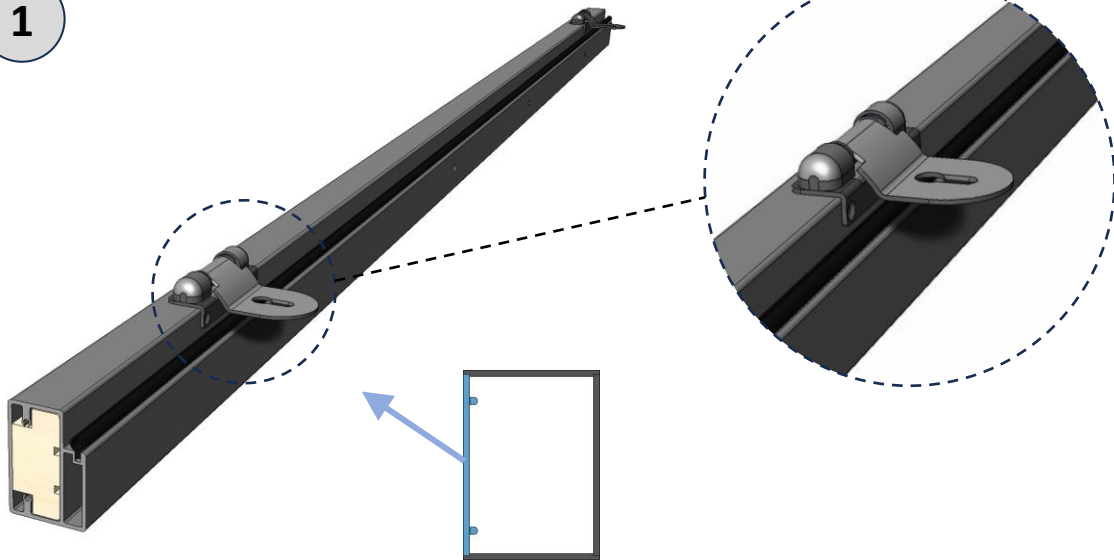
→ Page 17

# Left handed sauna

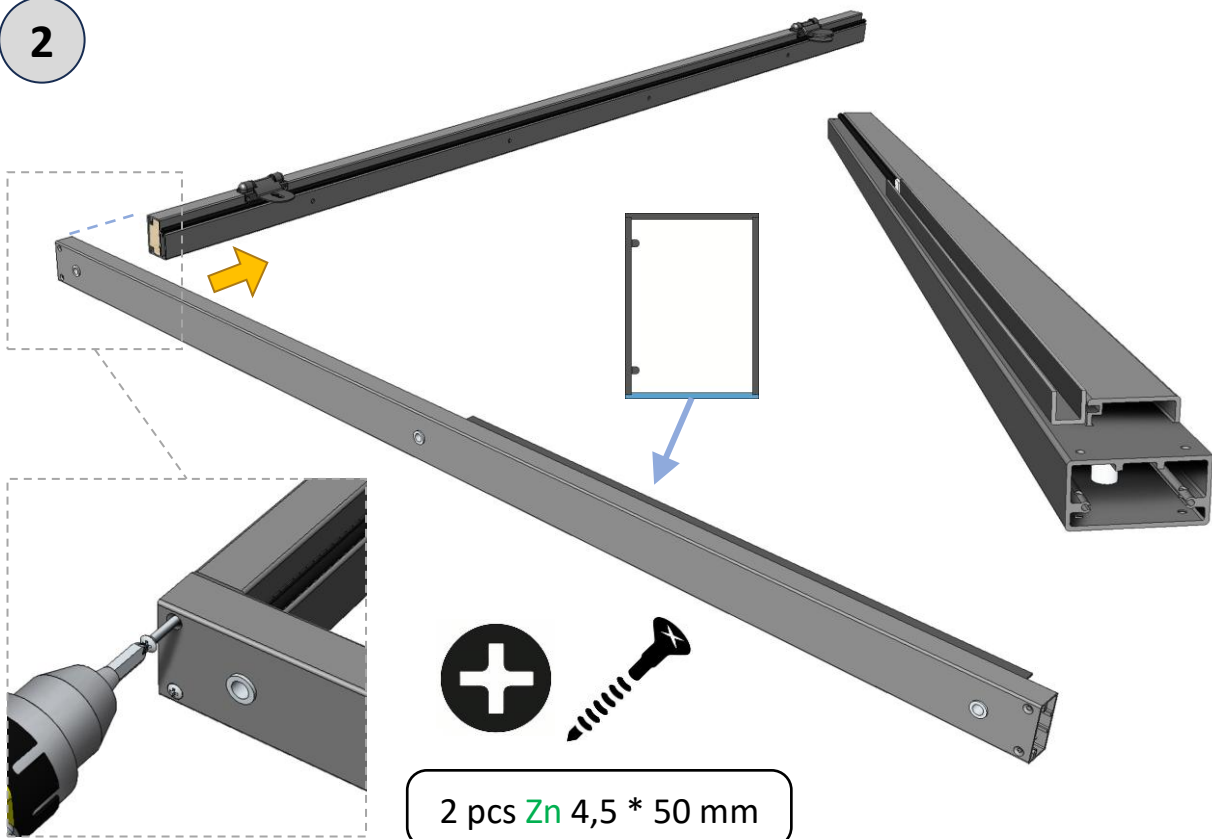
(Right handed sauna -> p.17)



1

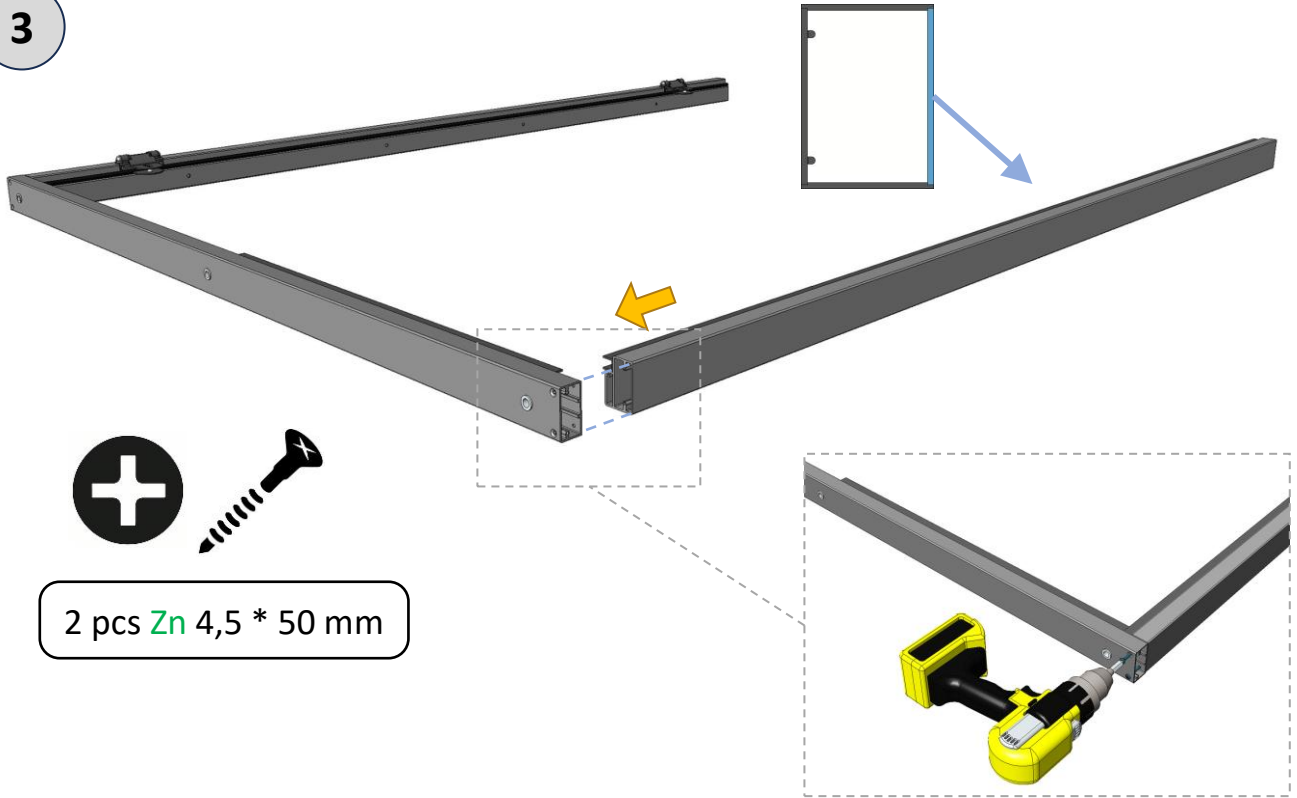


2

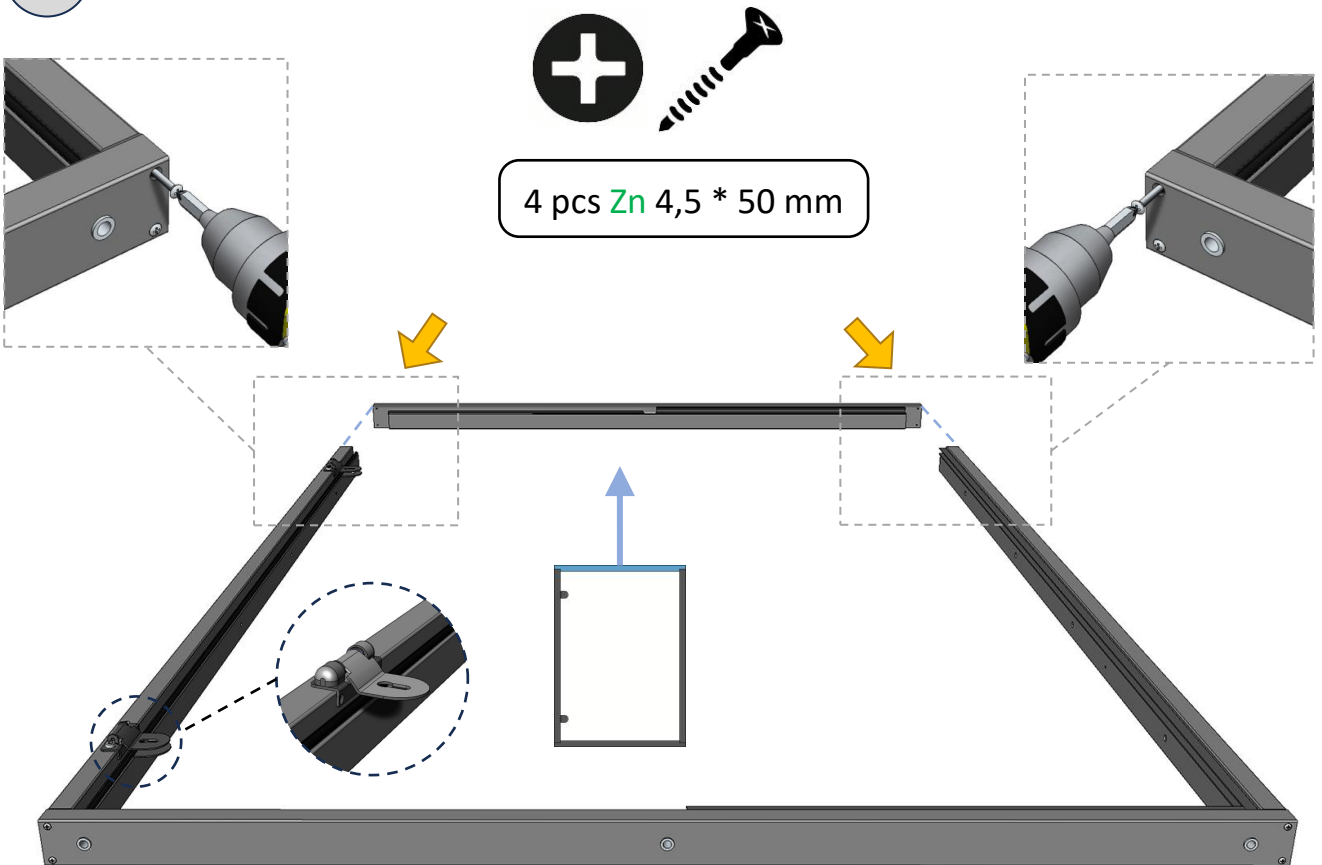


2 pcs Zn 4,5 \* 50 mm

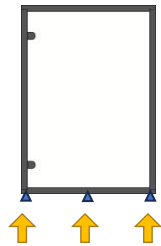
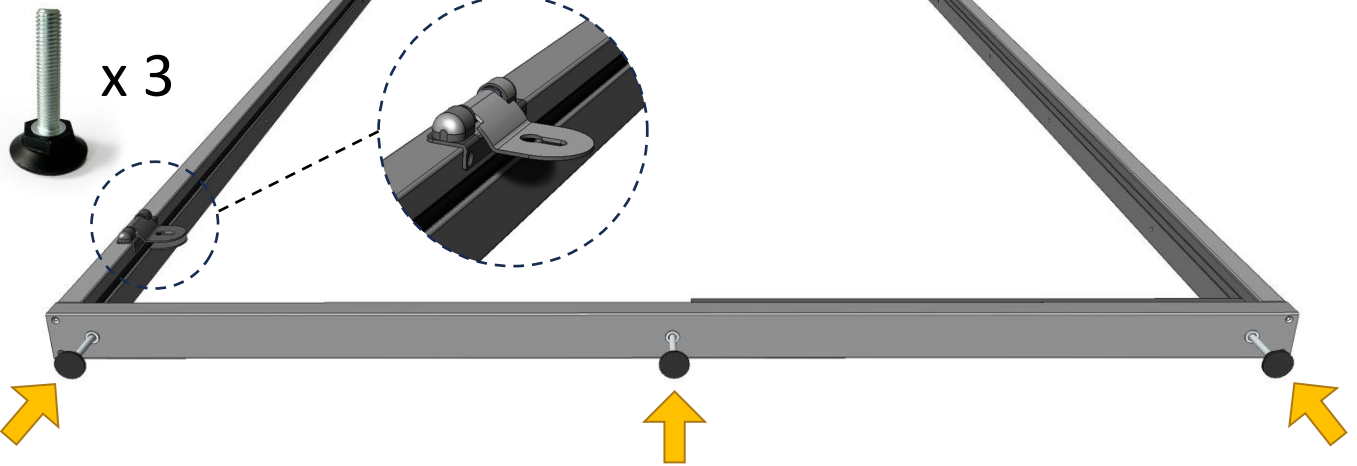
3



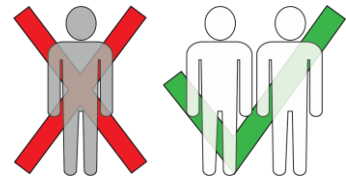
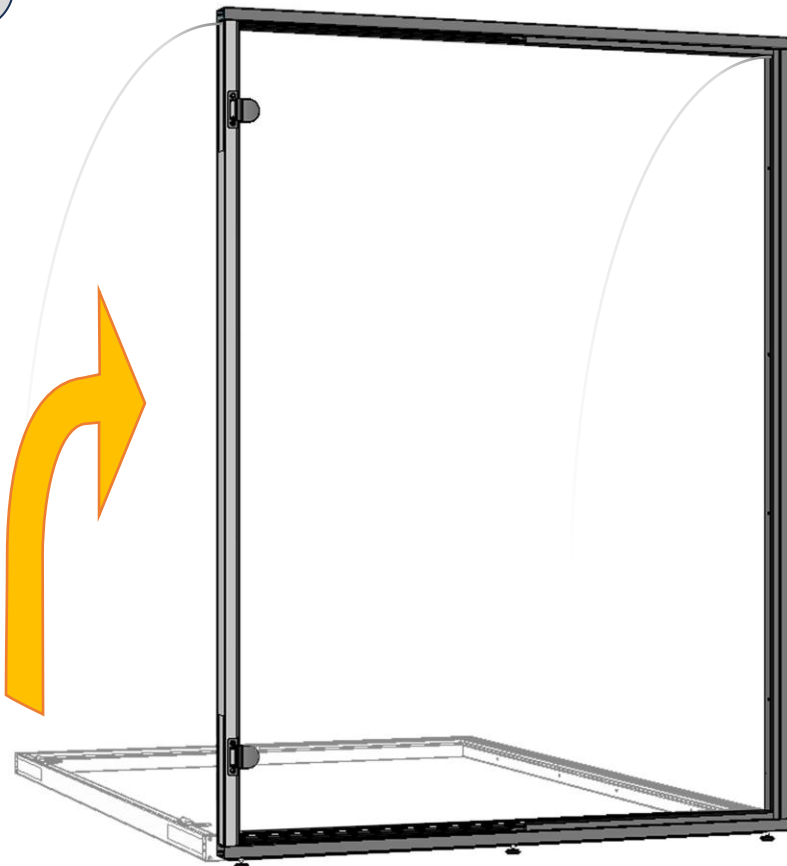
4



5



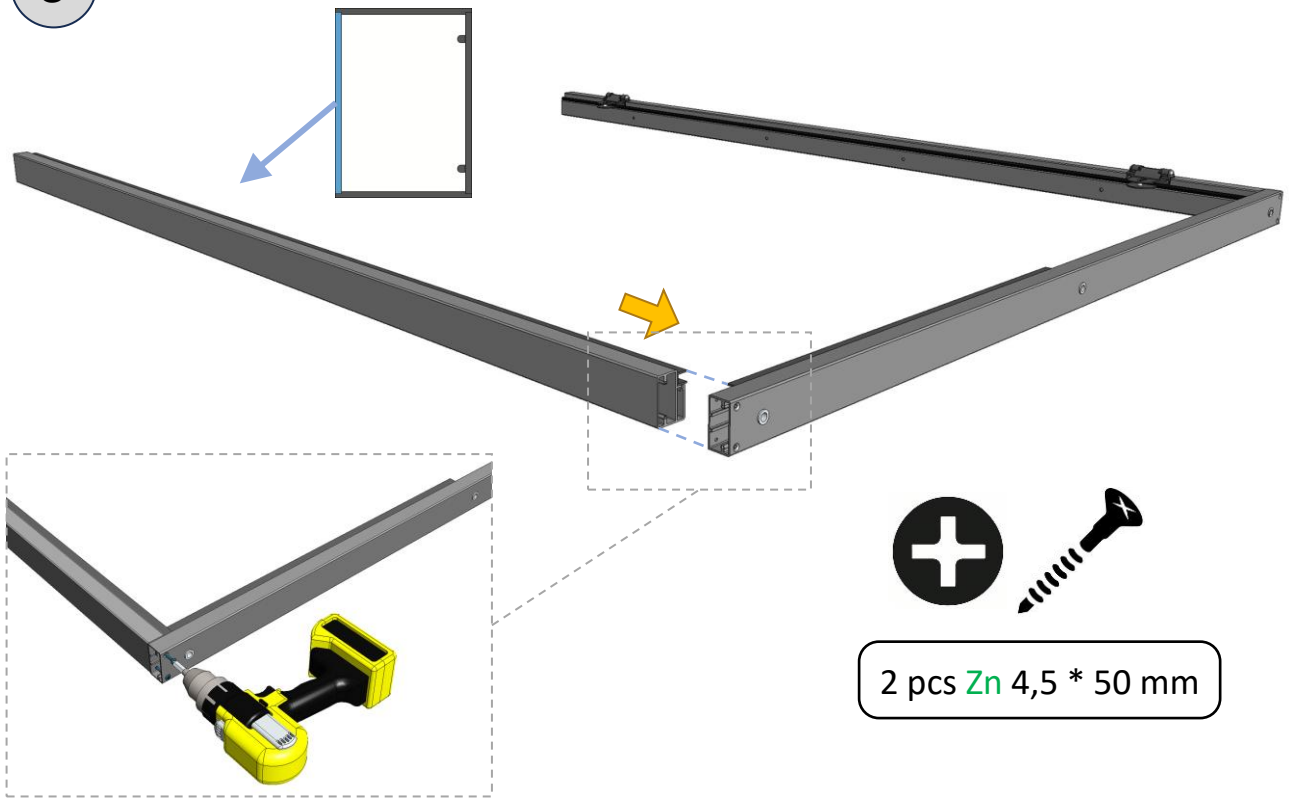
6



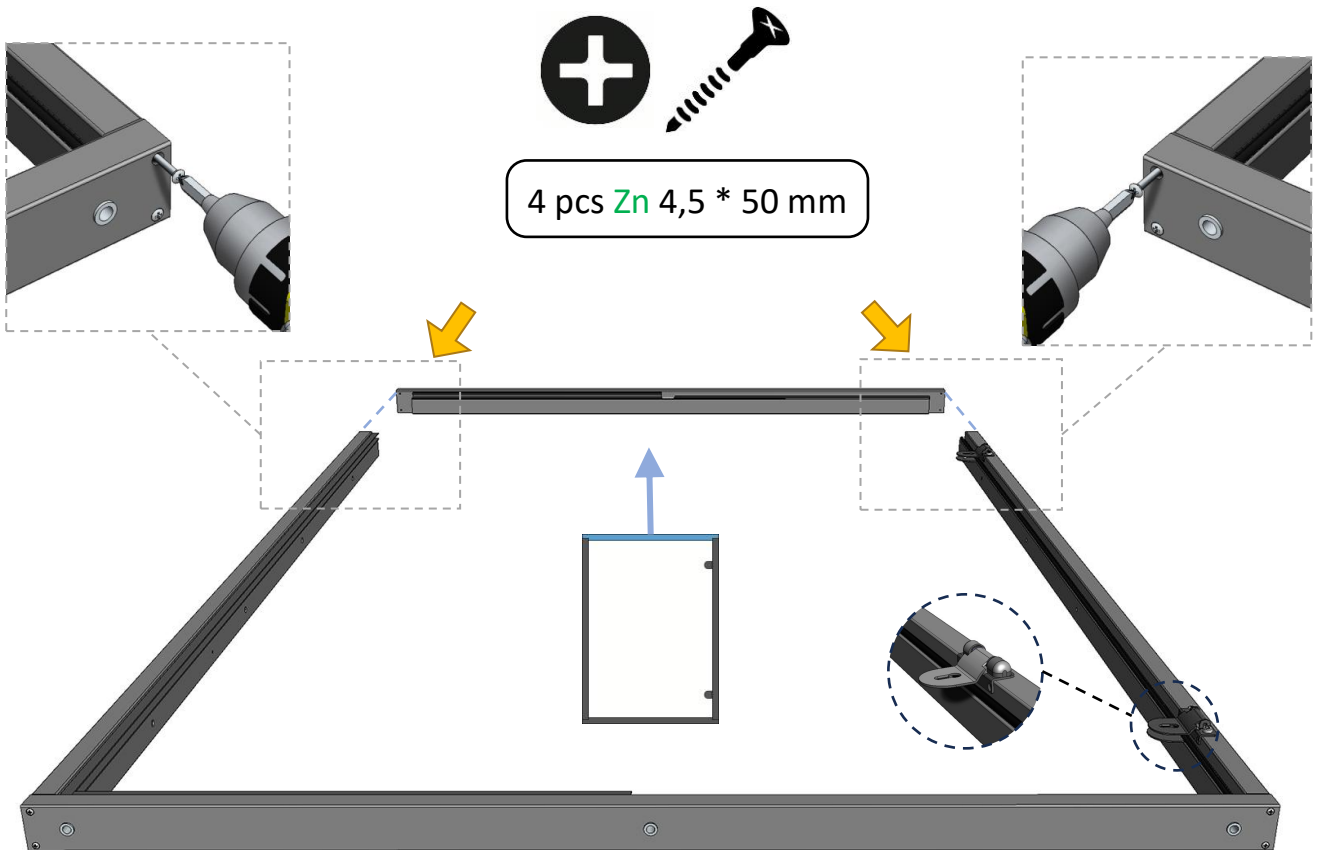
→ p.20



3



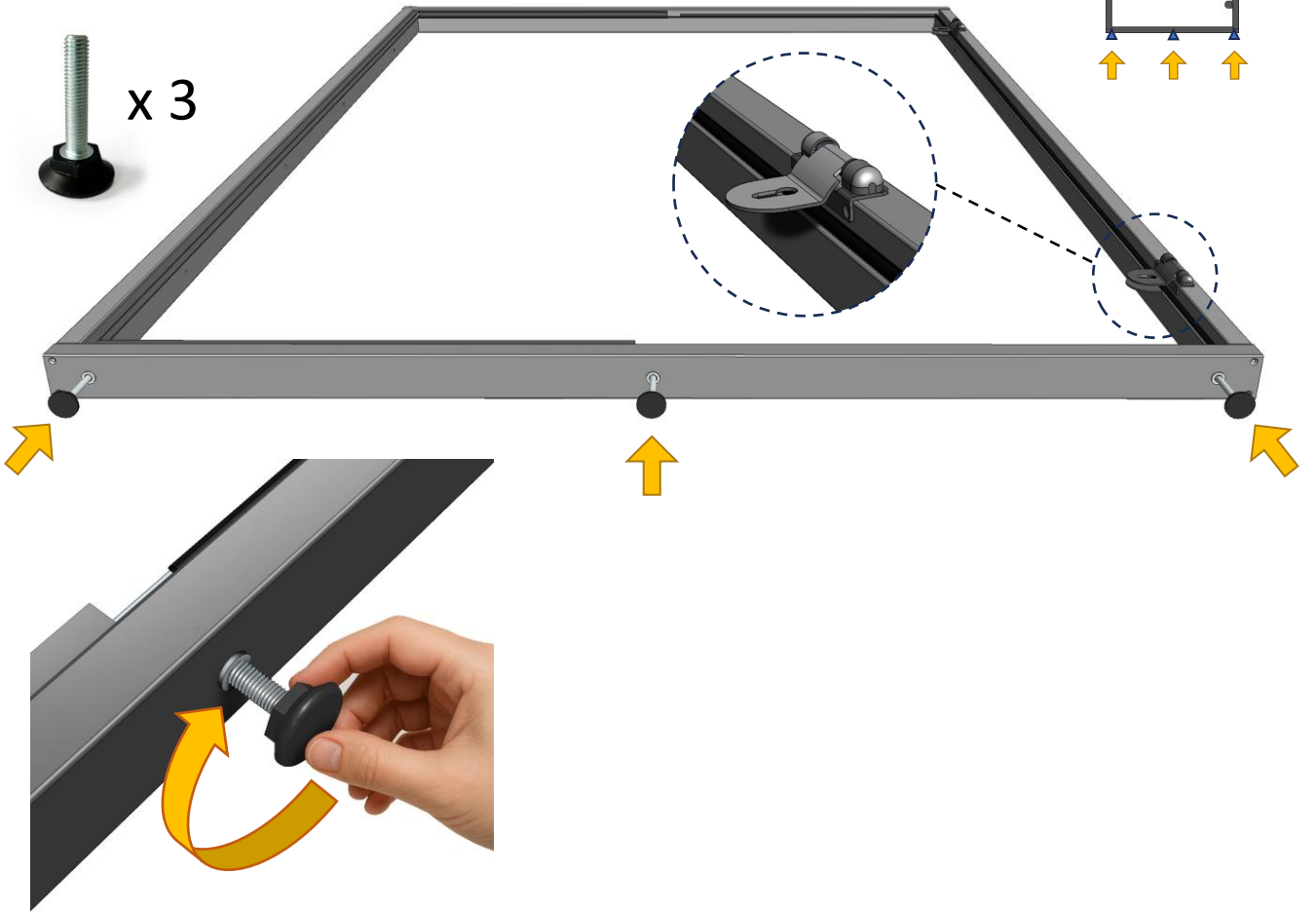
4



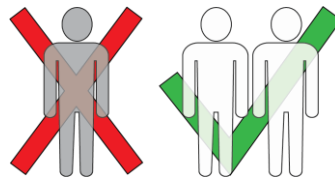
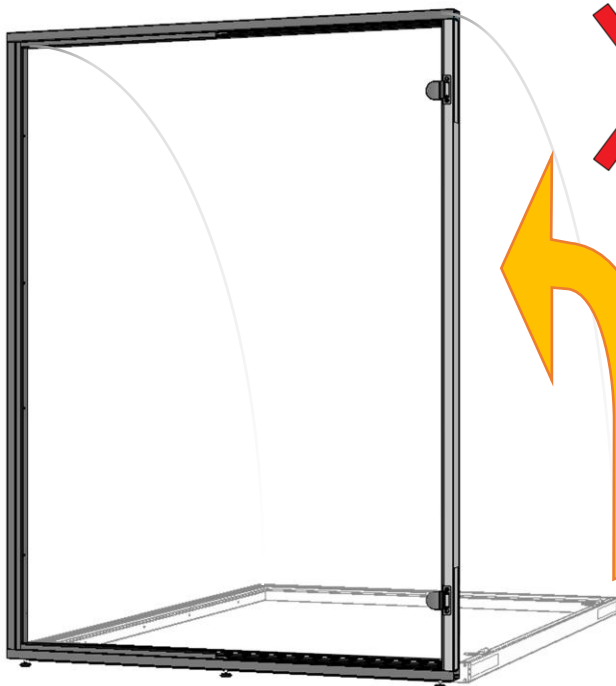
5



x 3

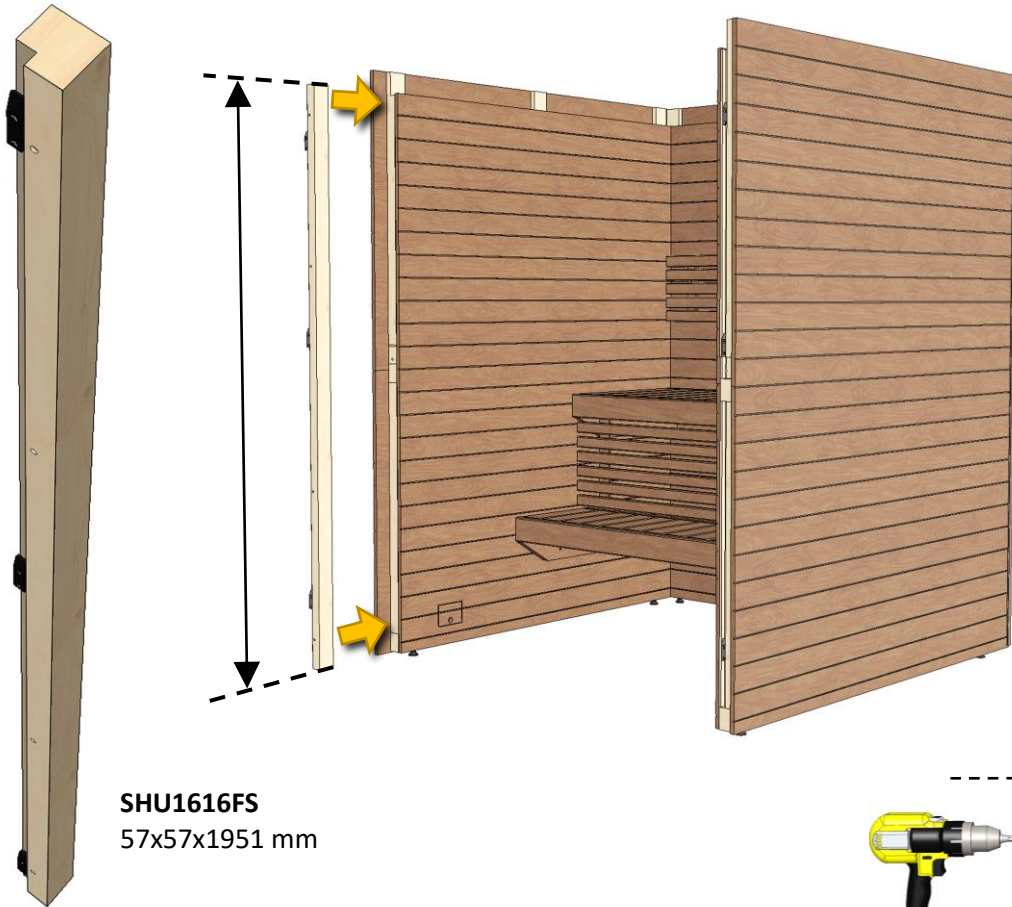


6



→ p.20

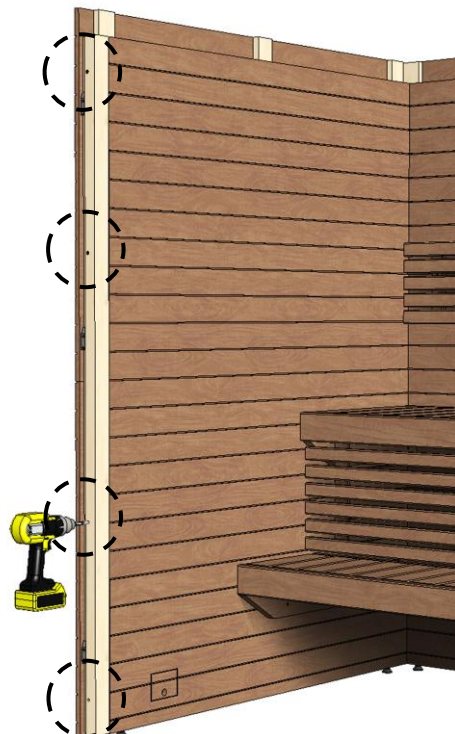
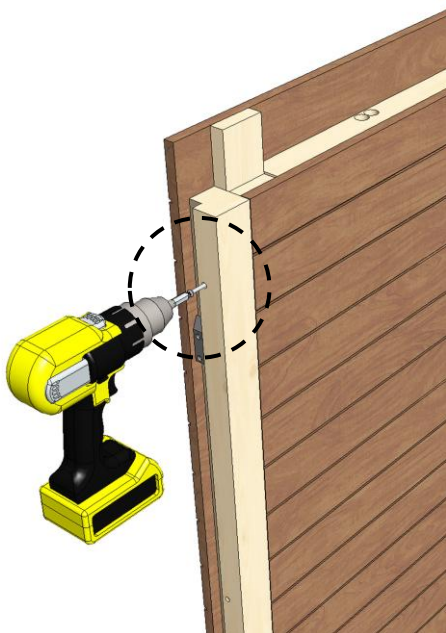
## FRAME SUPPORT



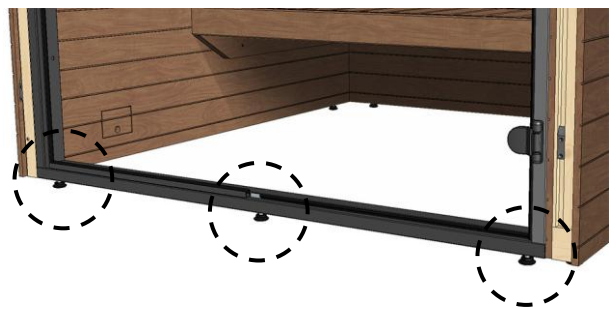
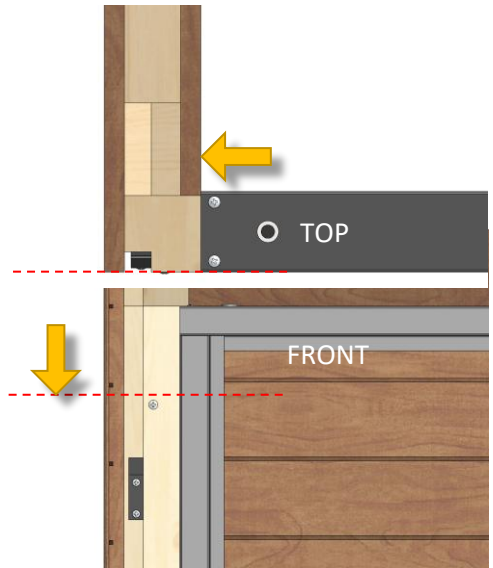
**SHU1616FS**  
57x57x1951 mm

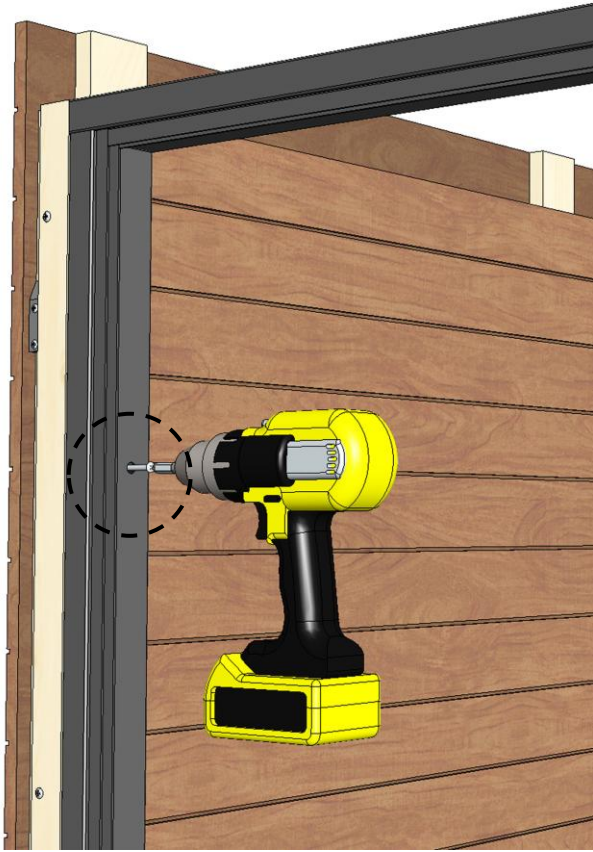


4 pcs Zn 5 \* 80 mm



## INSTALLATION OF FRAMES

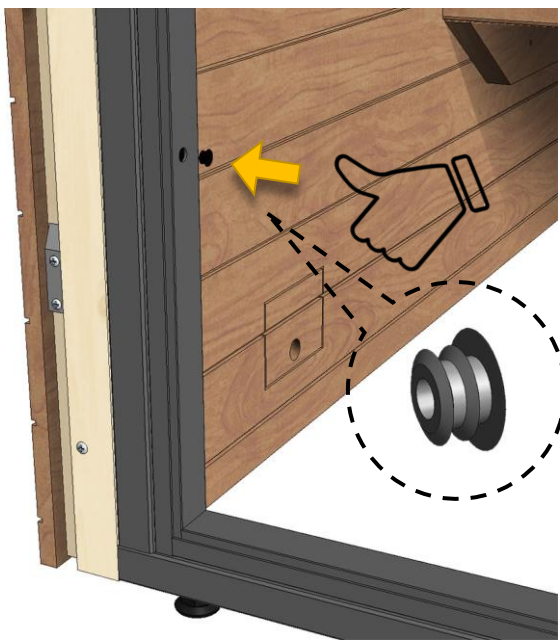




8 pcs Zn 4,5 \* 50 mm

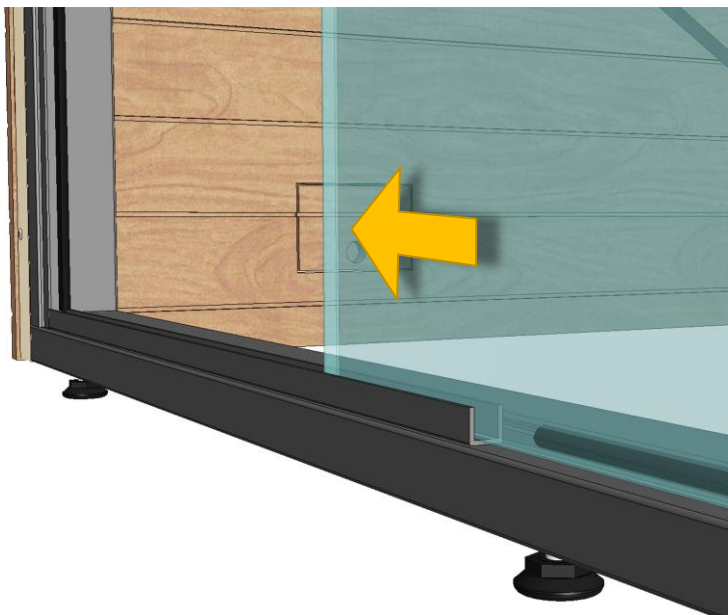
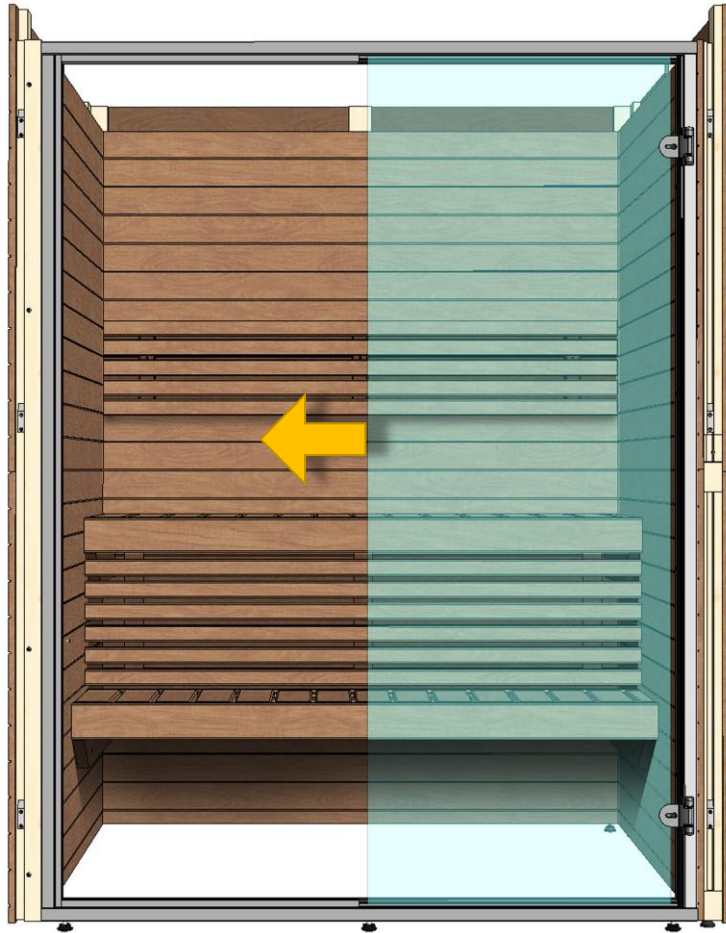
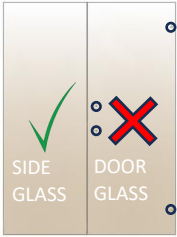


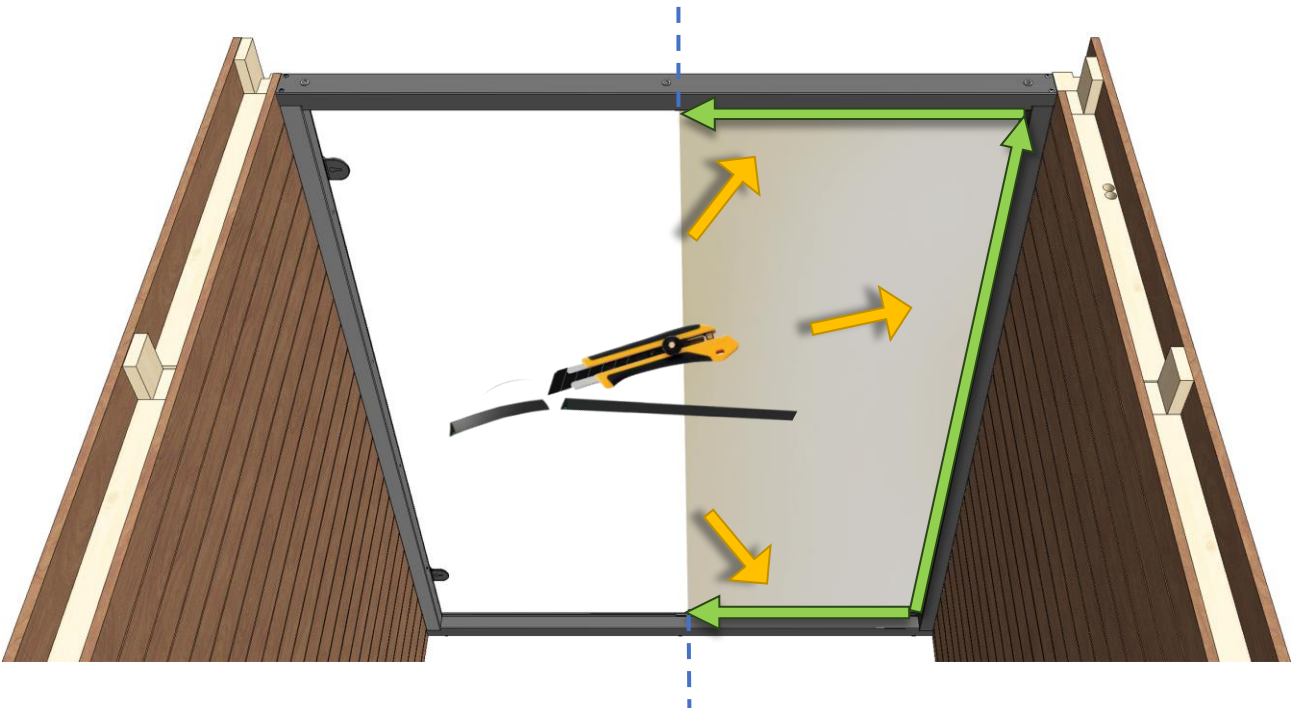
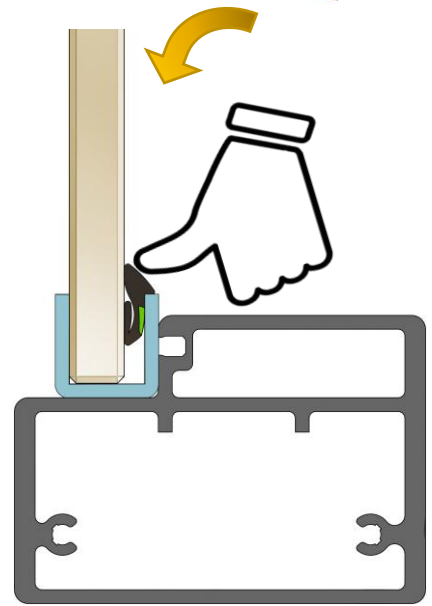
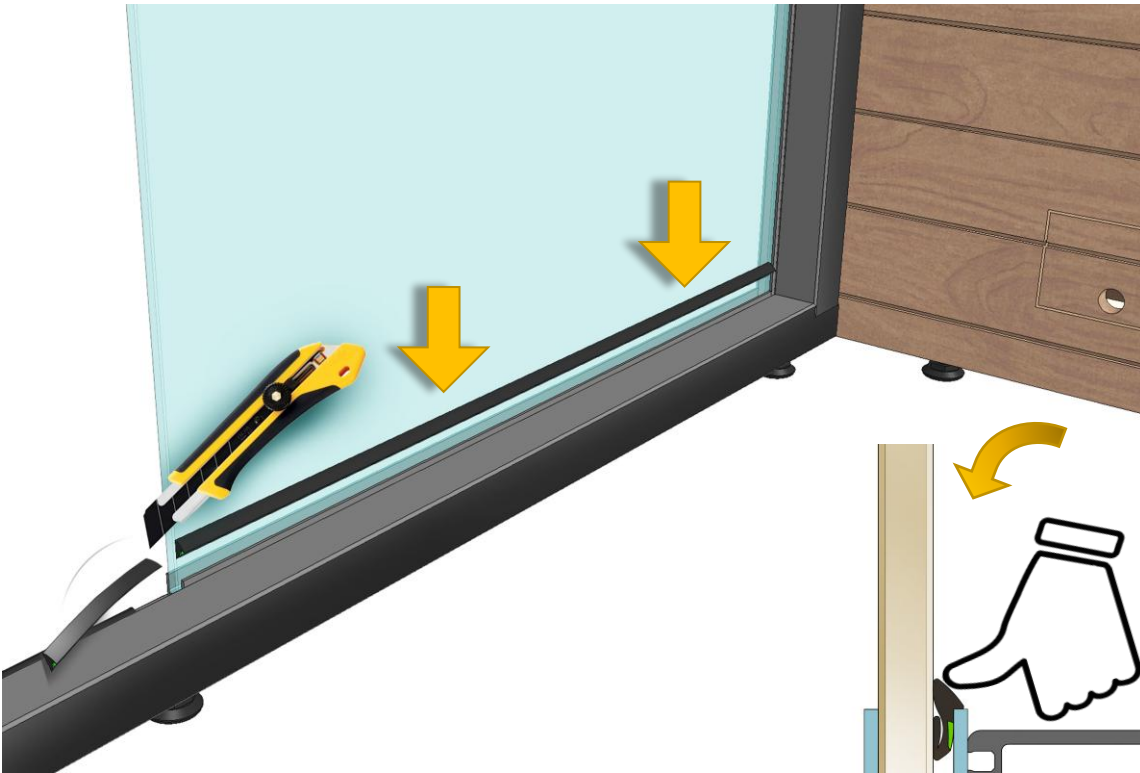
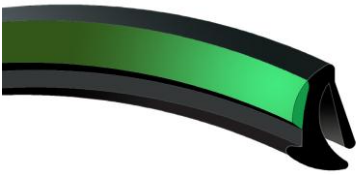
TX25



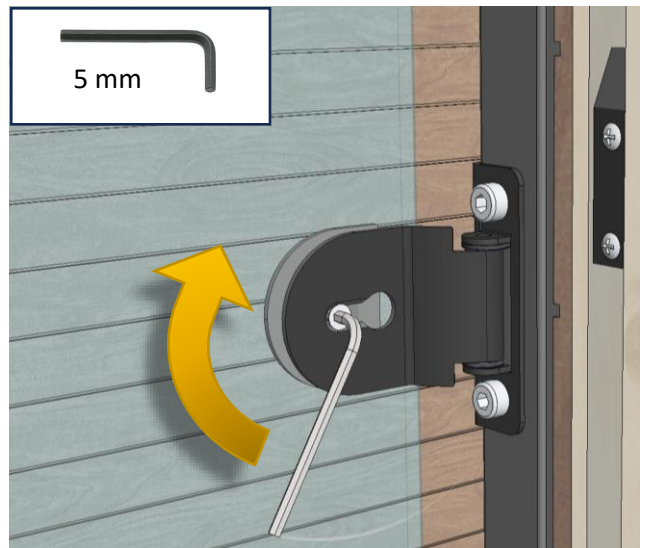
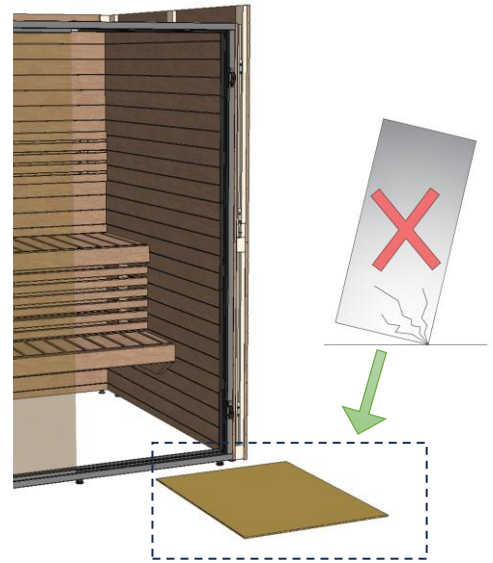
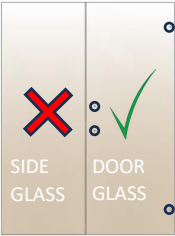


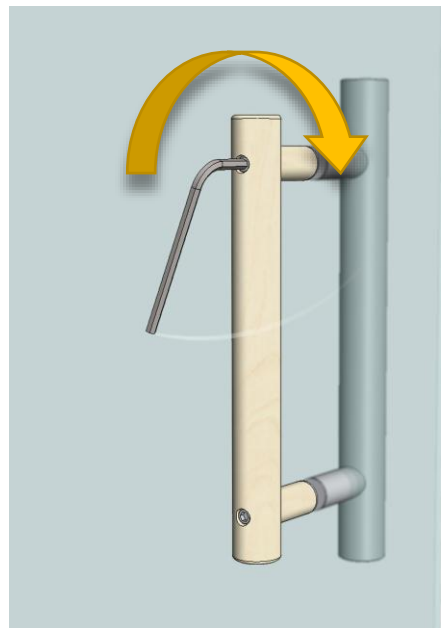
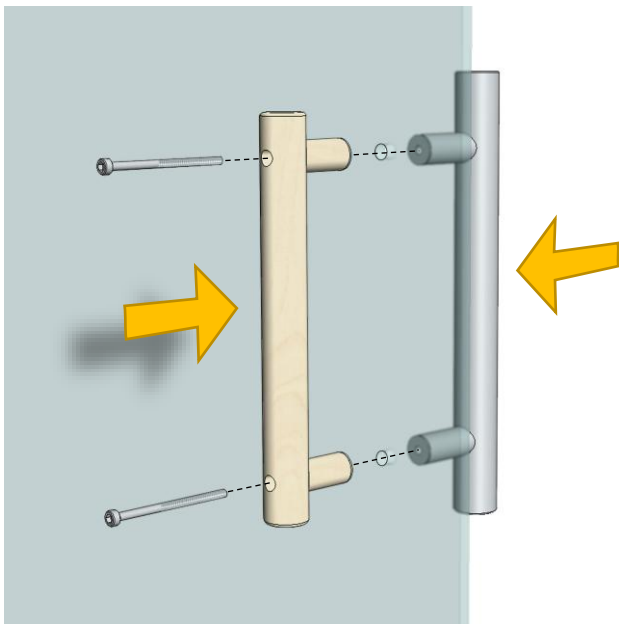
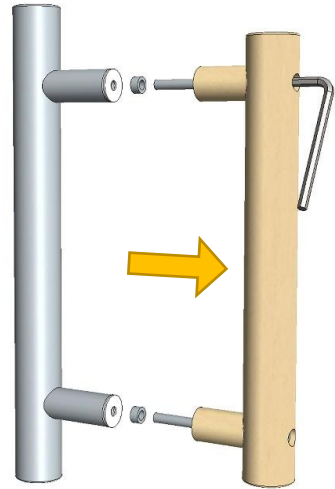
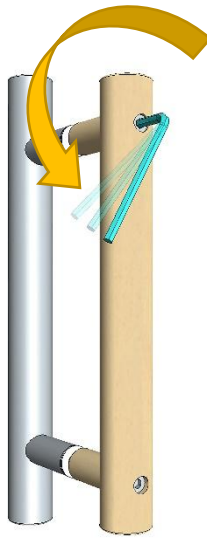
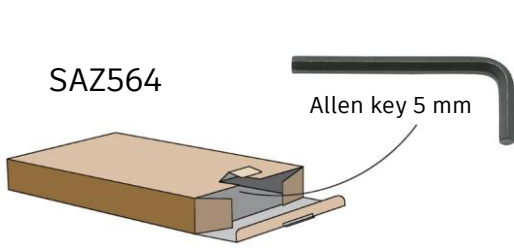
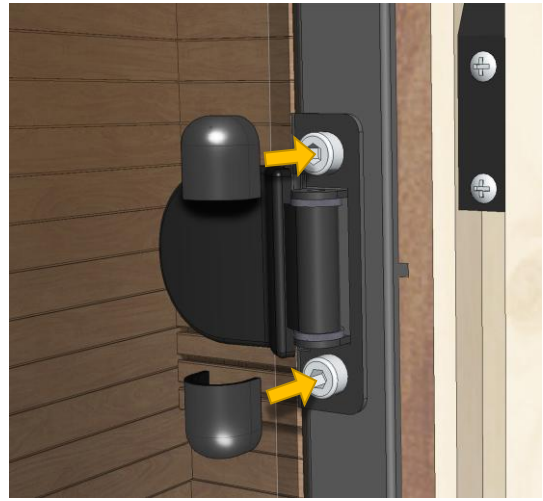
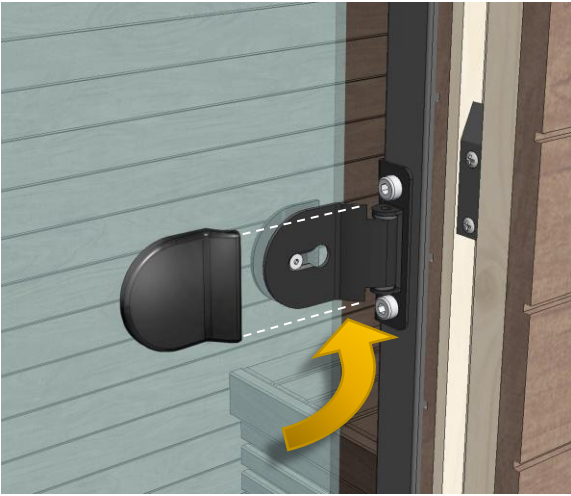
# INSTALLATION OF SIDE GLASS



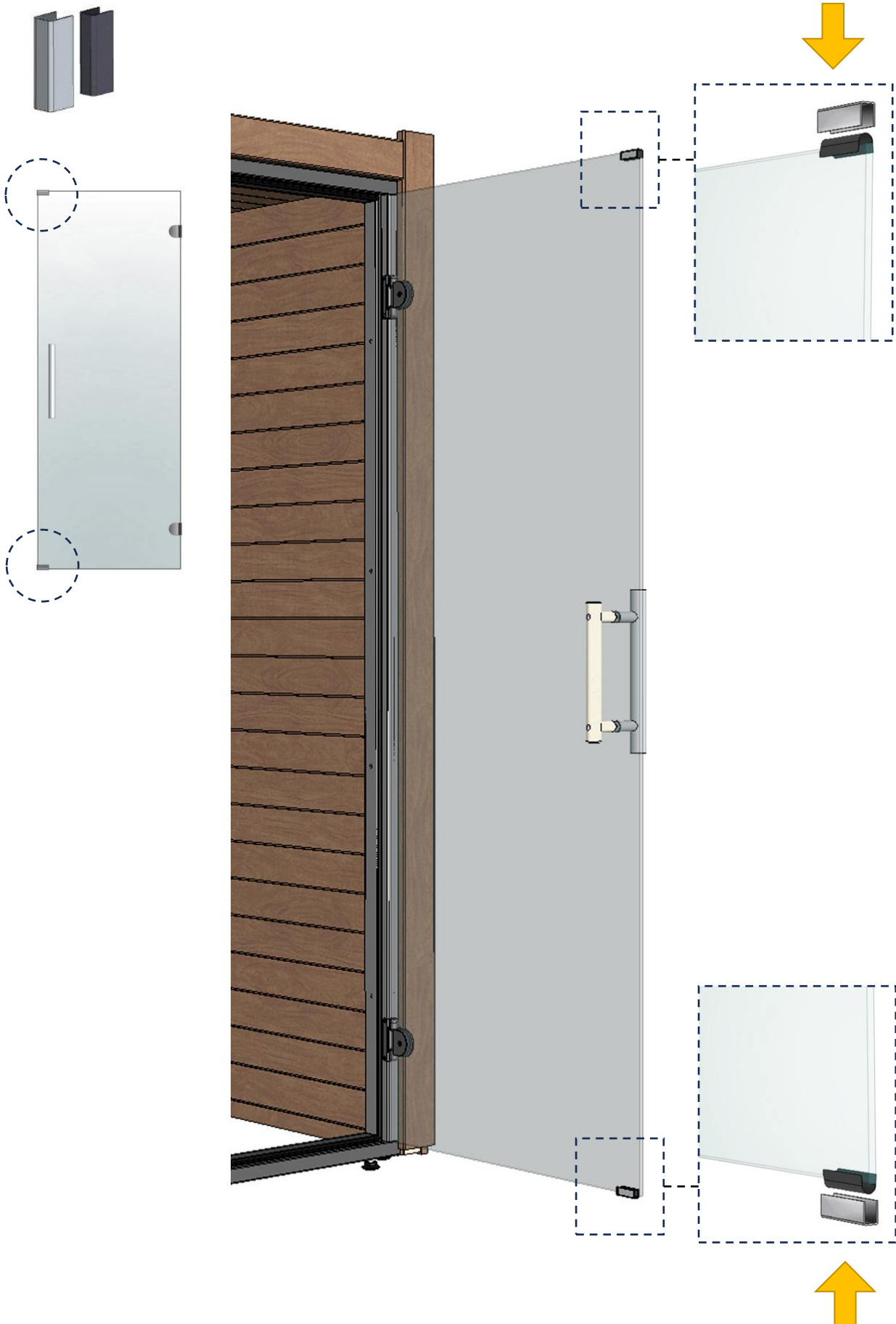


# INSTALLATION OF DOOR GLASS



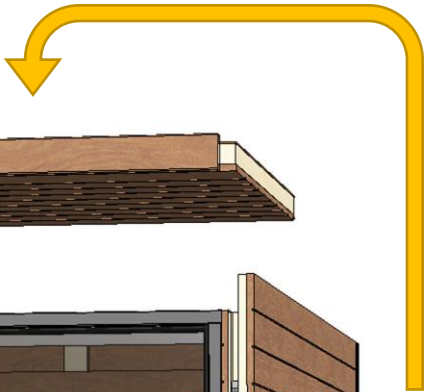
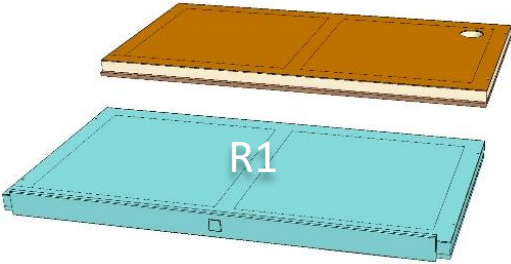


2 x ZVEL-259C



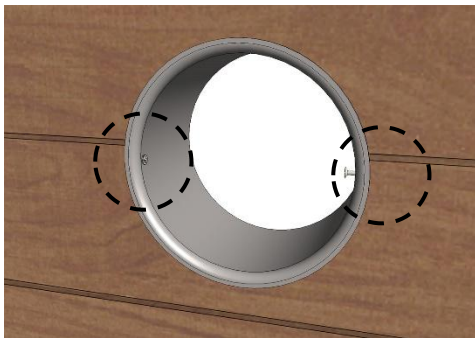
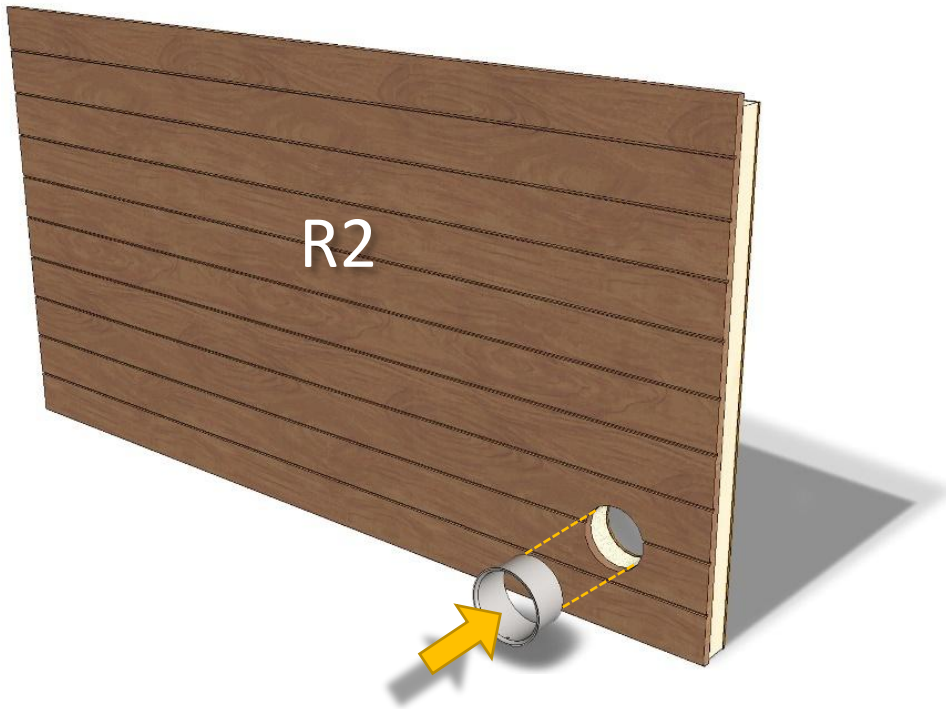


# INSTALLATION OF ROOF

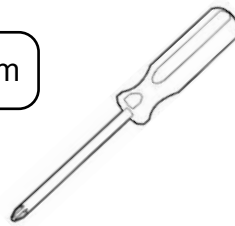




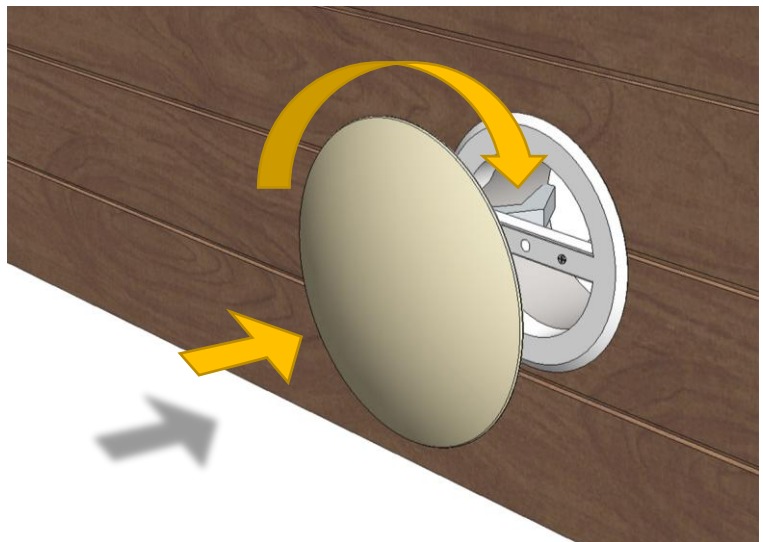
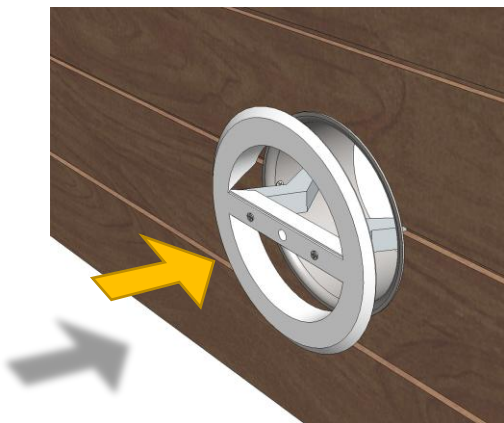
ZVEL-10

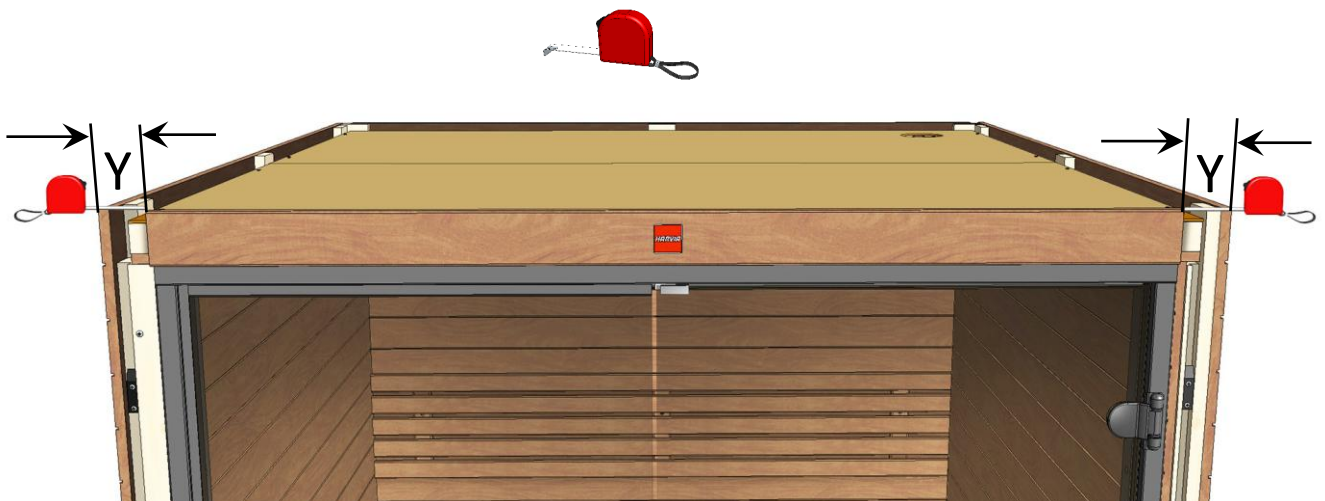


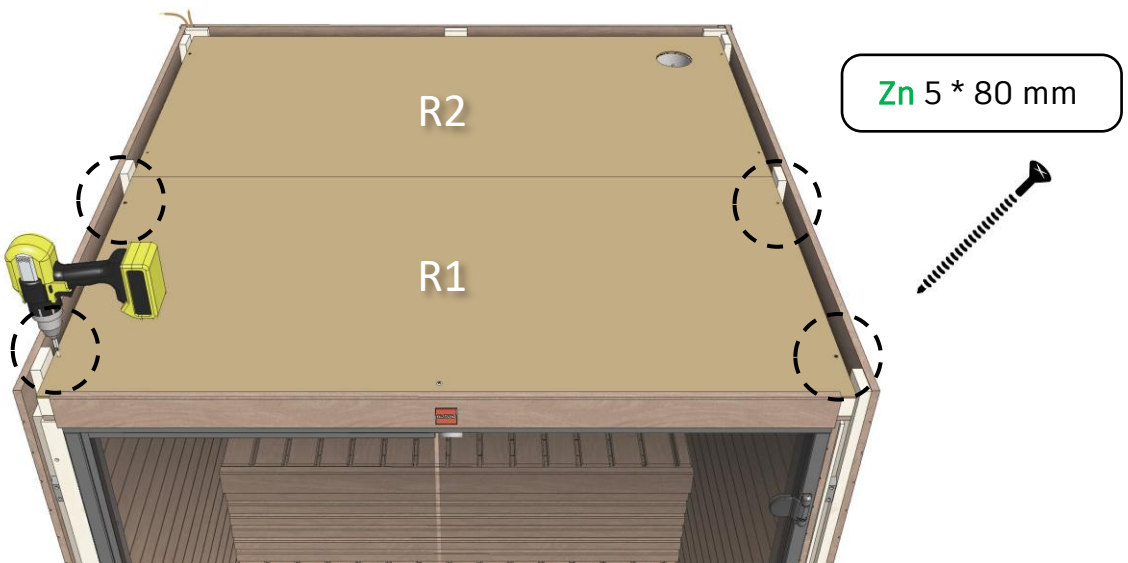
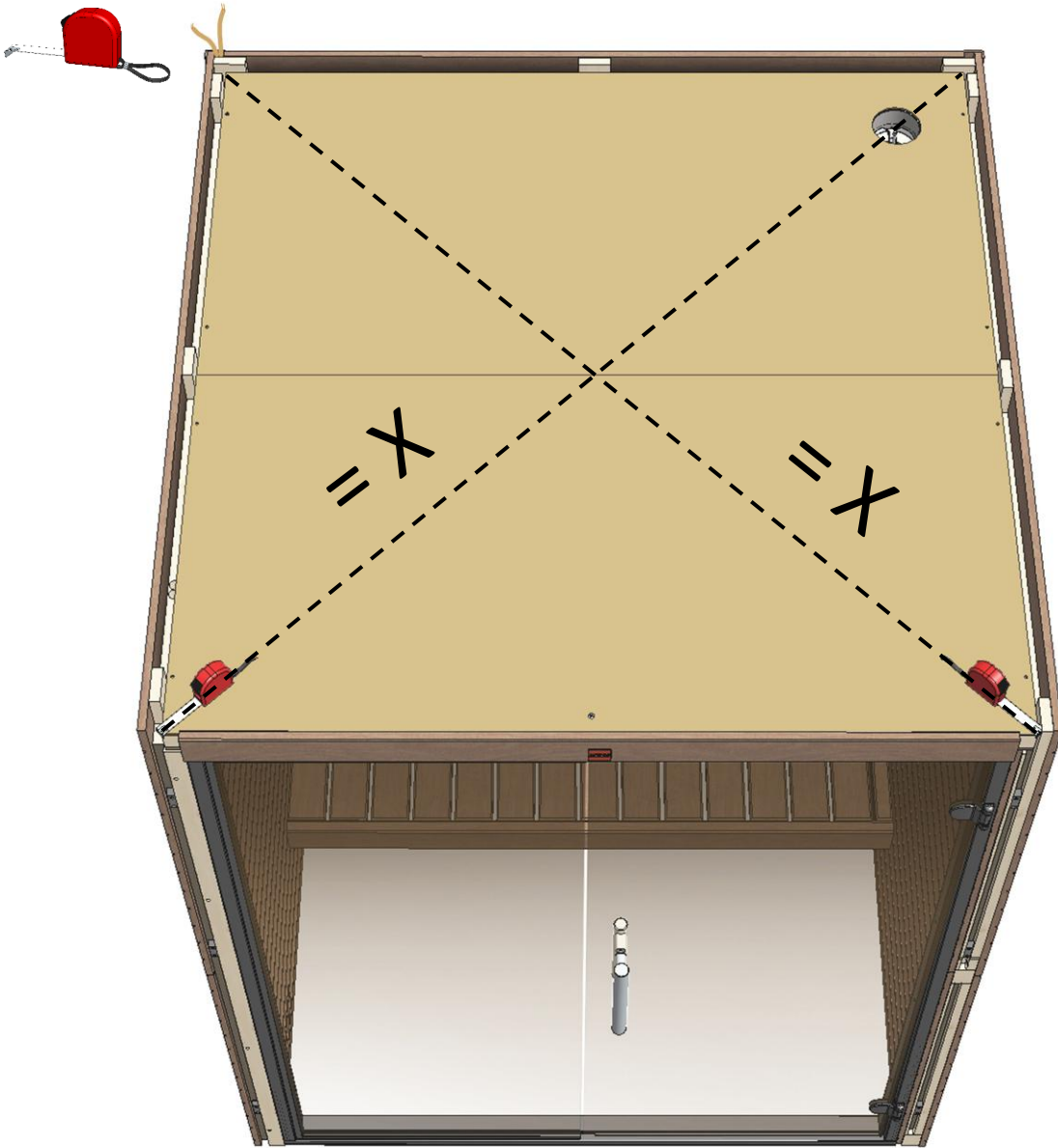
Ss 3 \* 25 mm

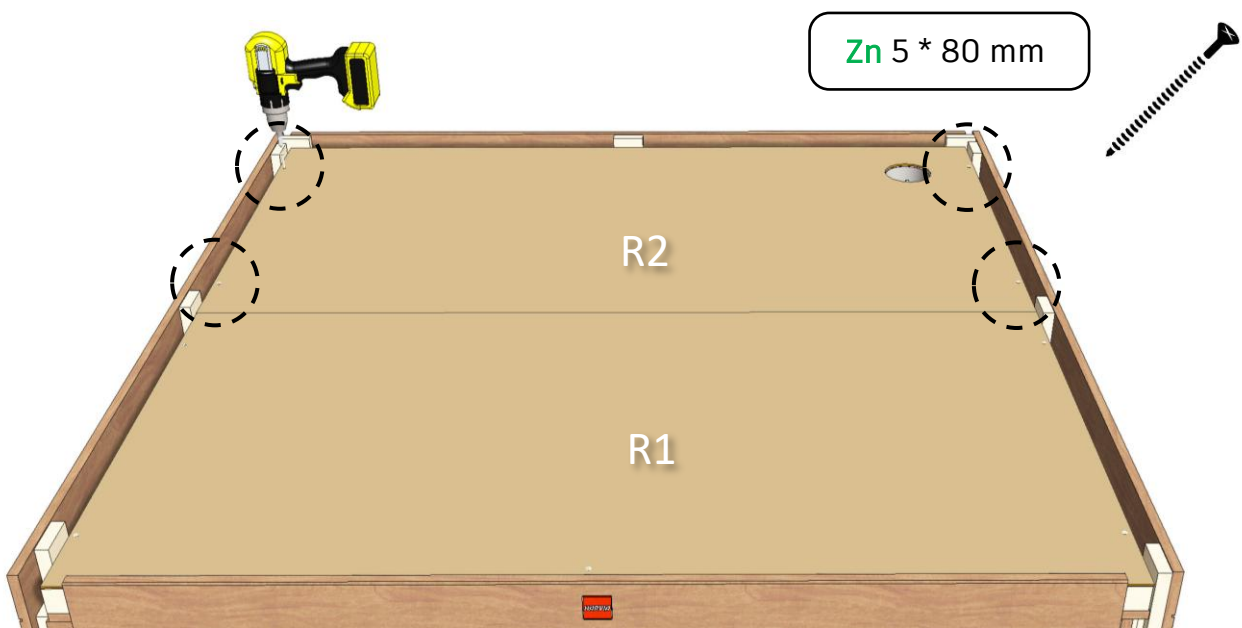
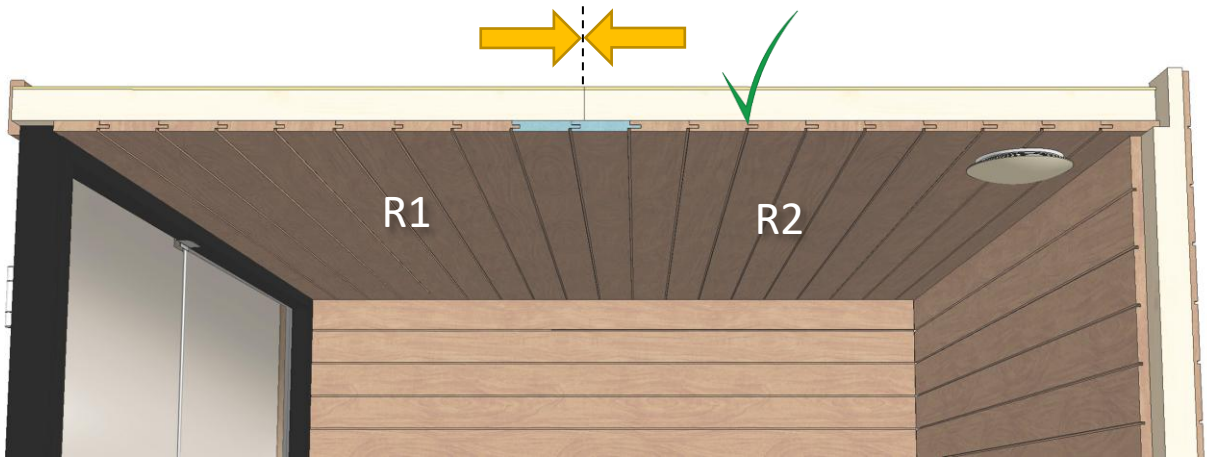
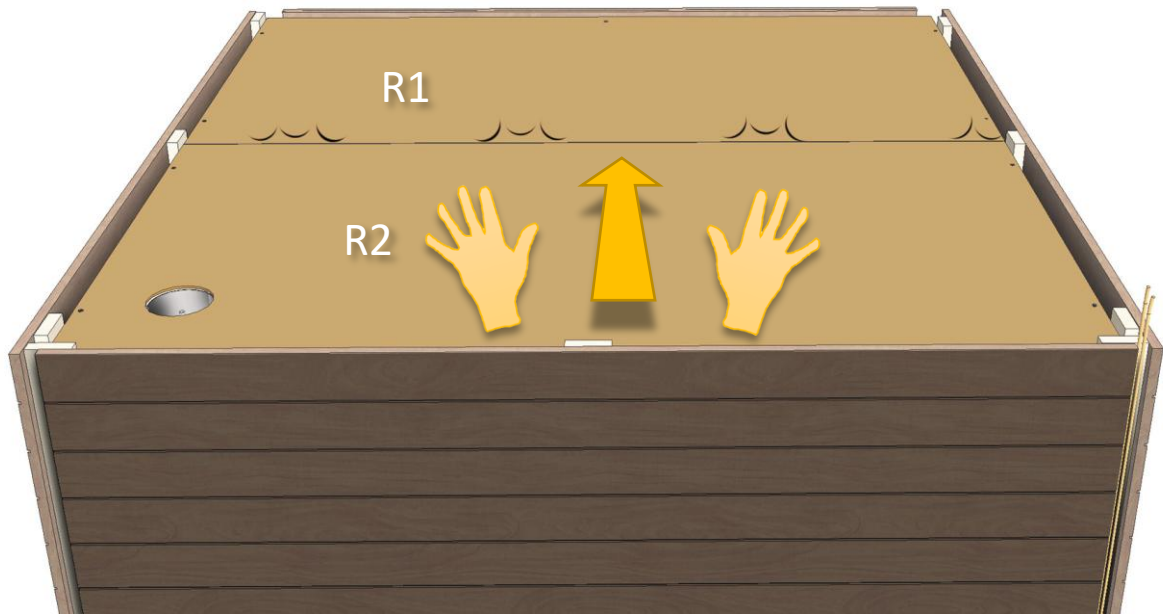


SZ093L

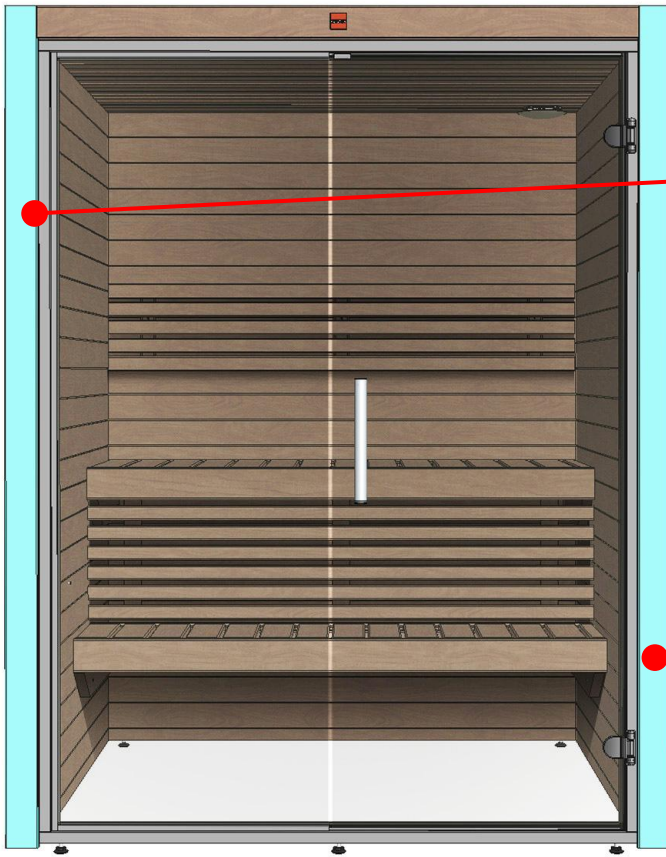




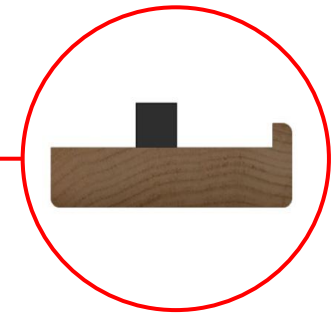




## FASCIA BOARDS

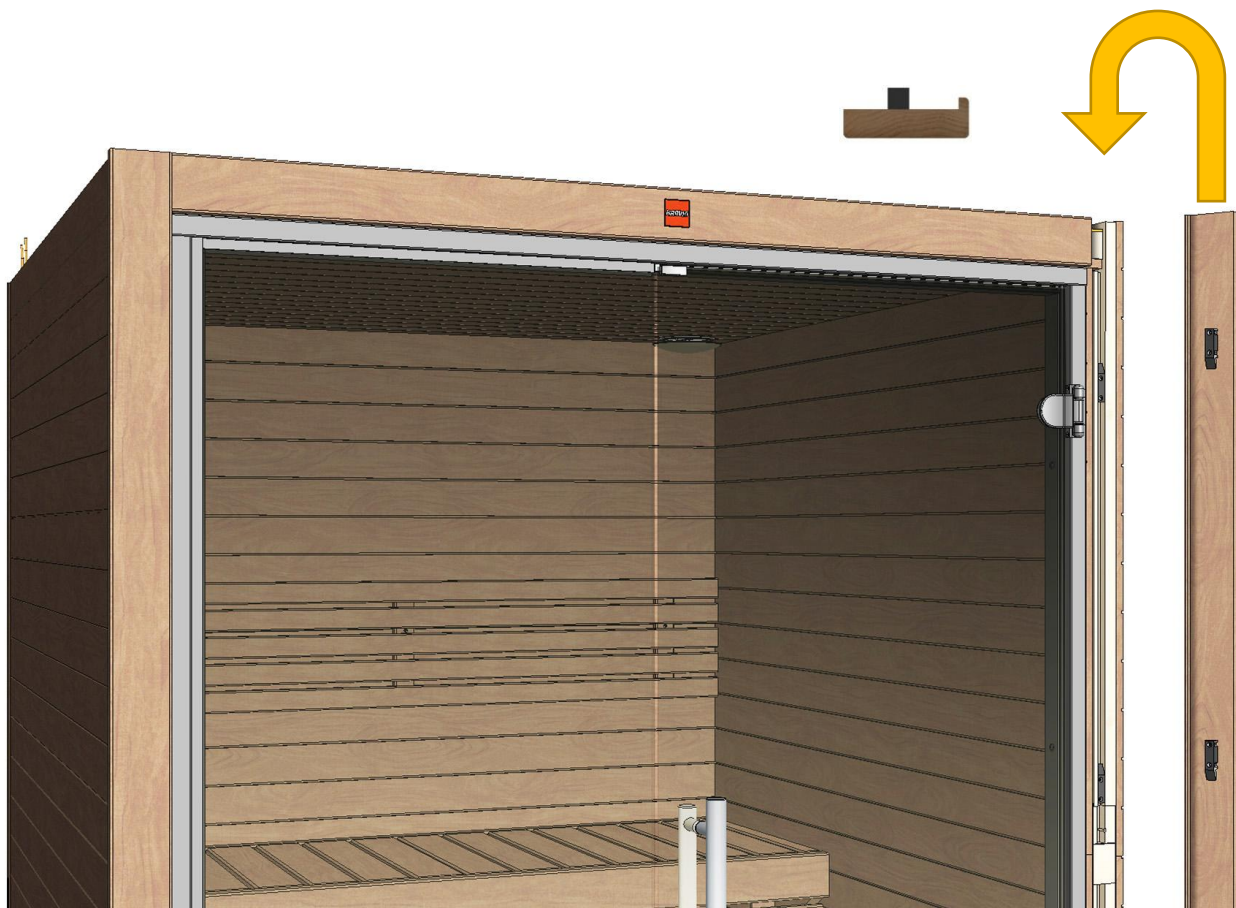
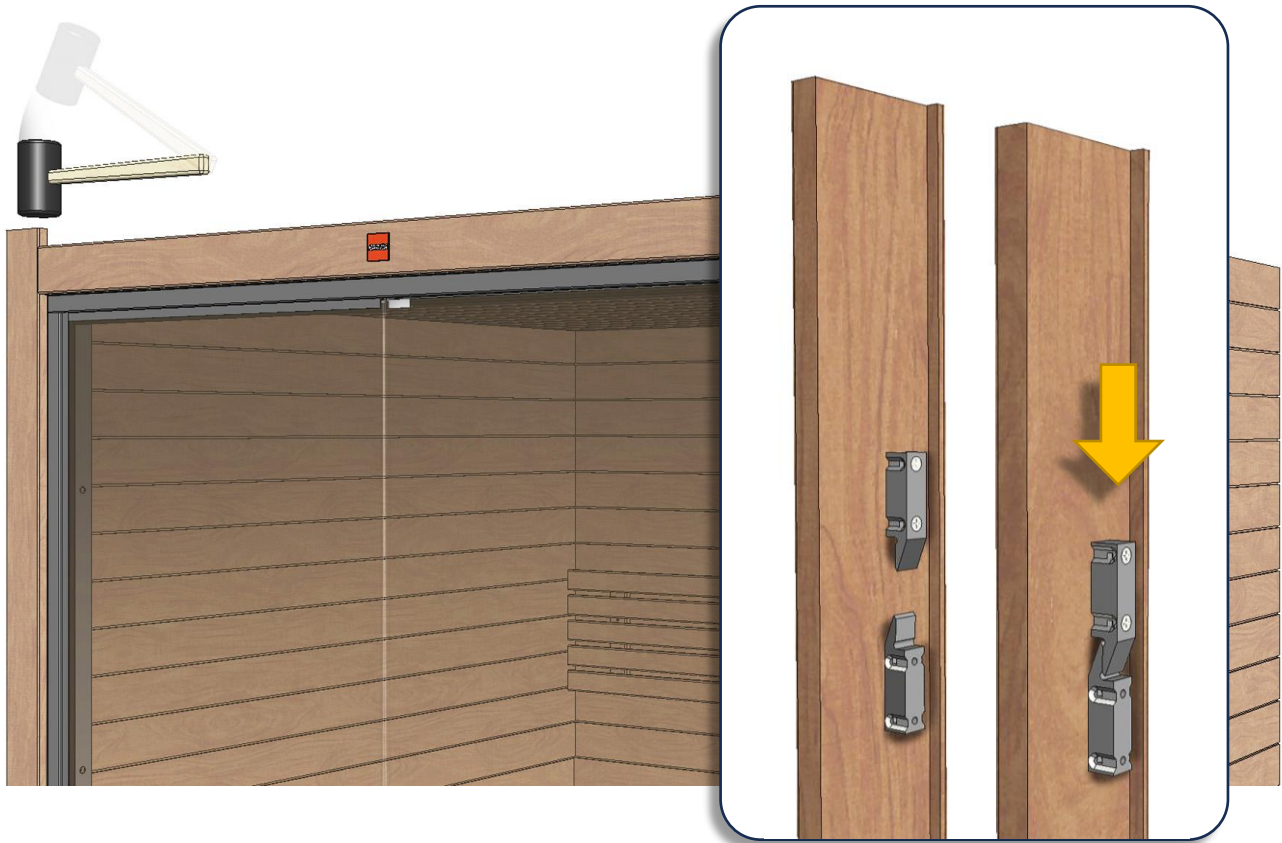


90 \* 28 \* 2034 mm



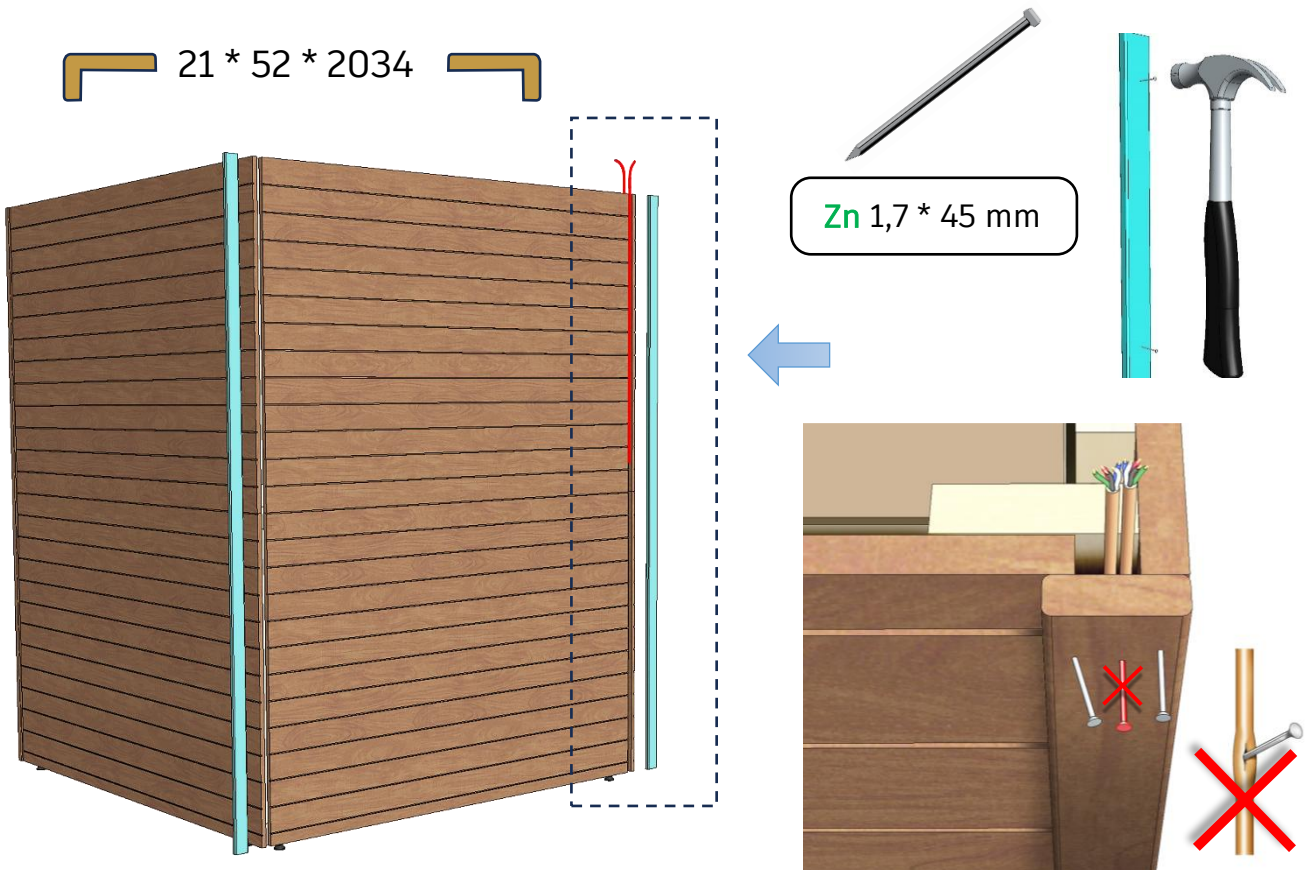
90 \* 28 \* 2034 mm



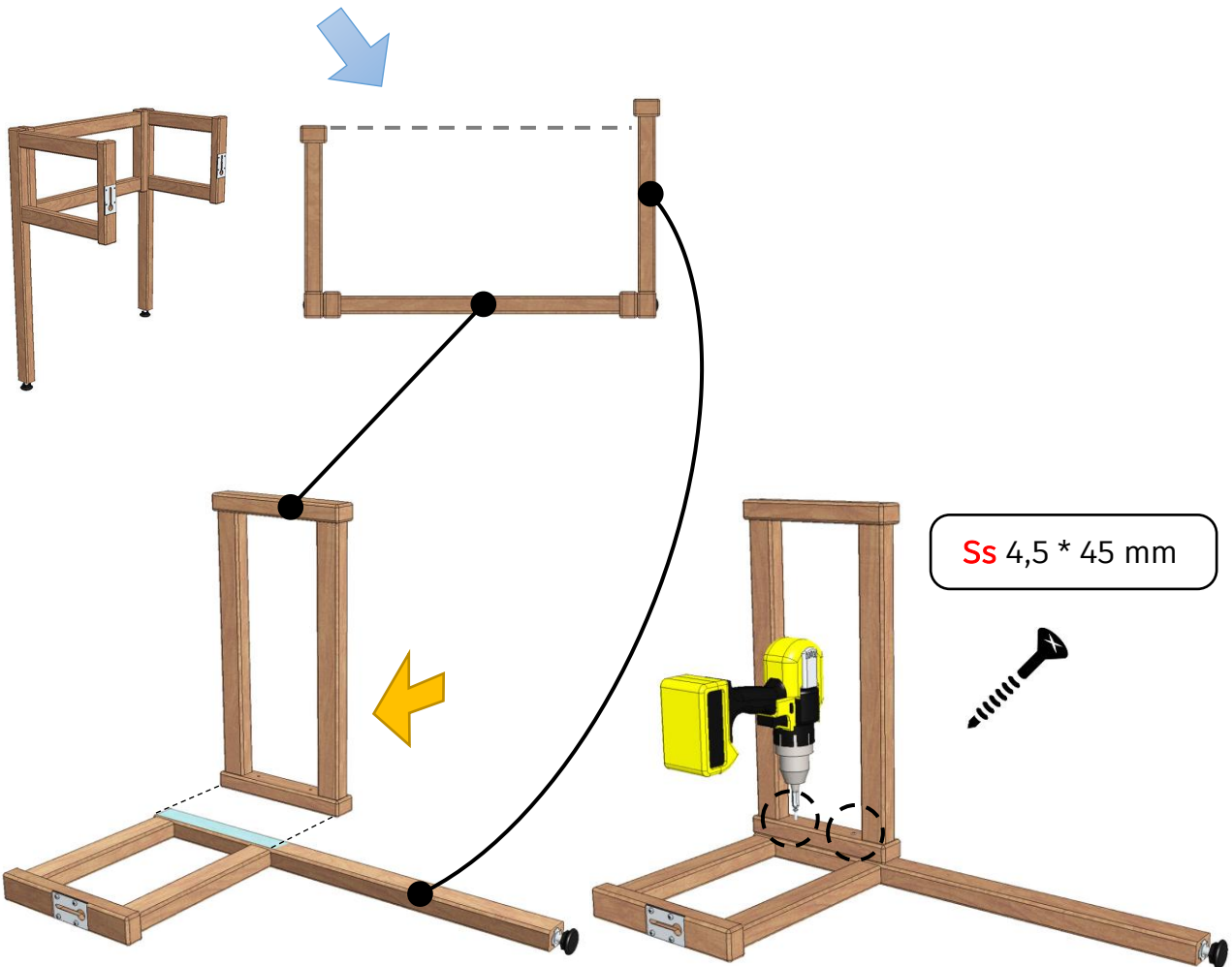
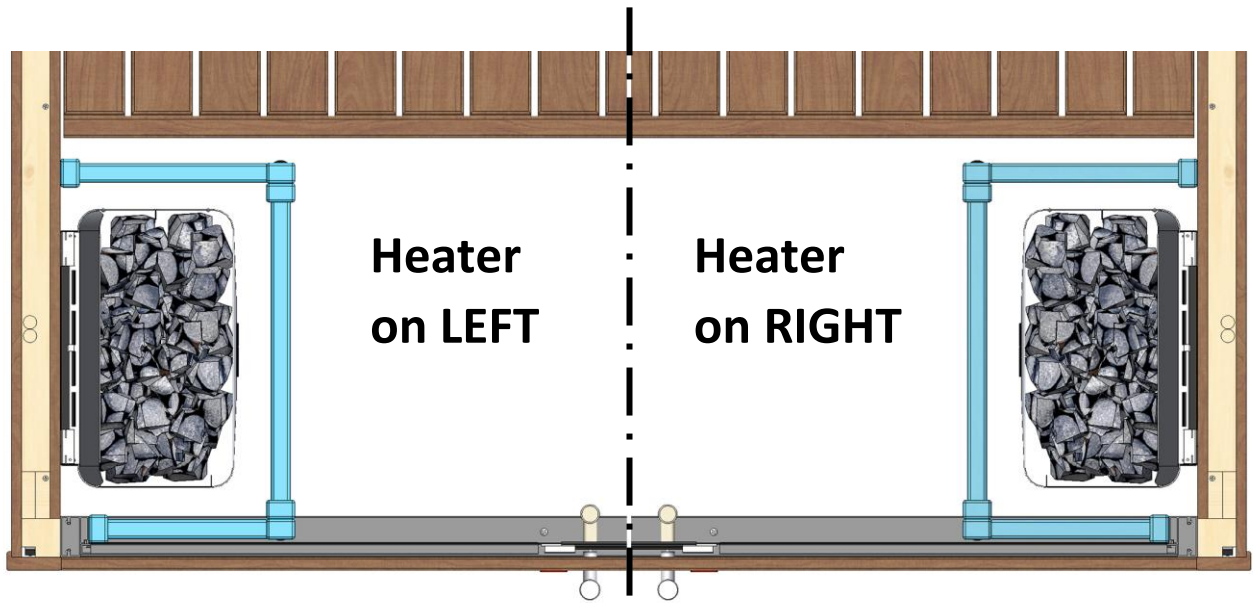


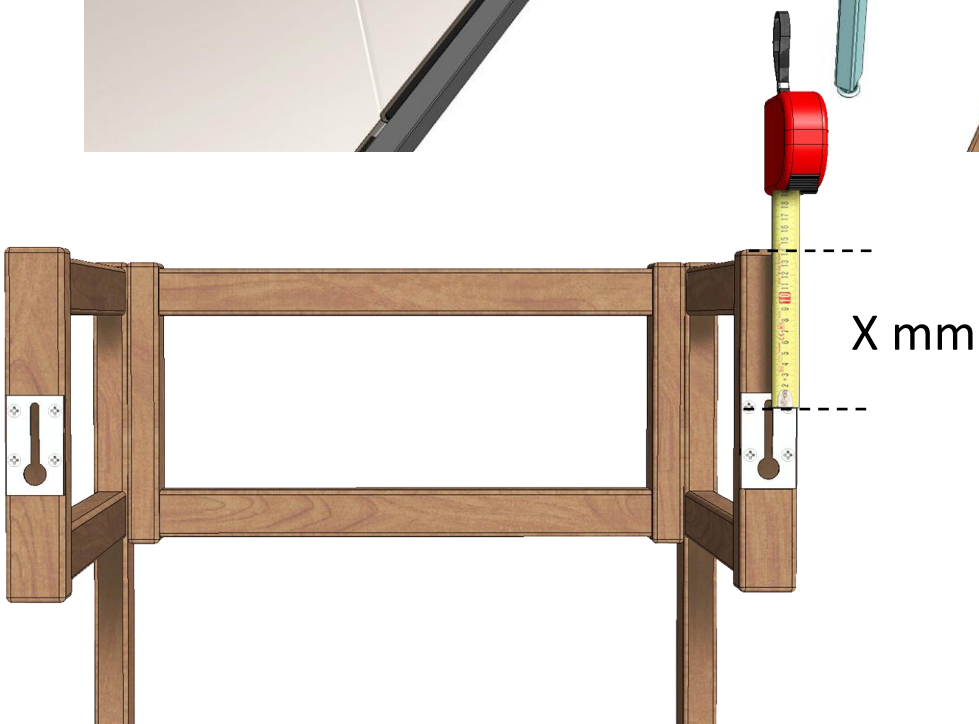
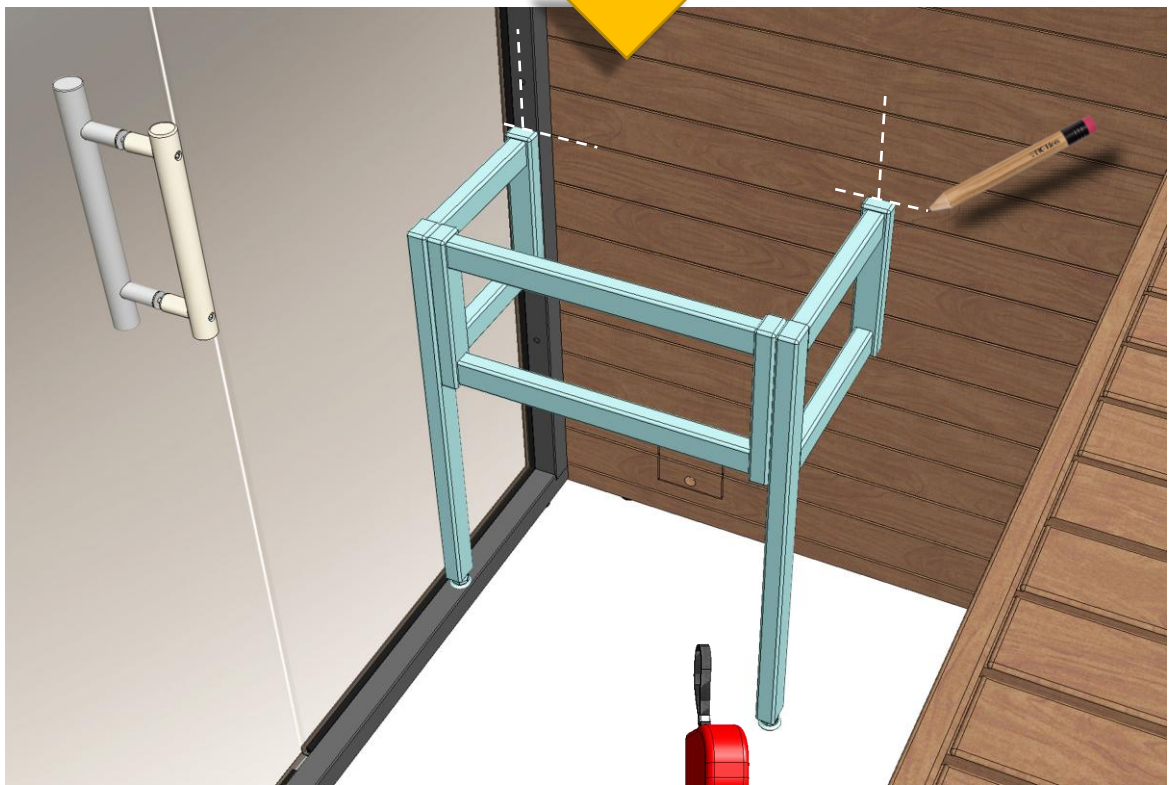
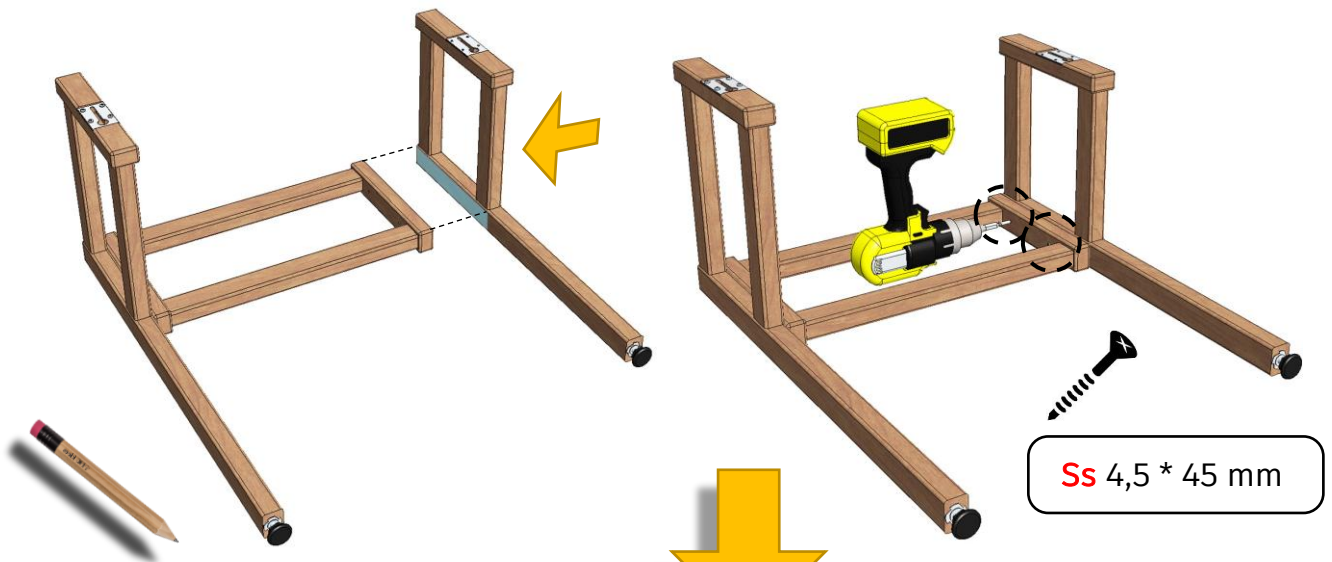


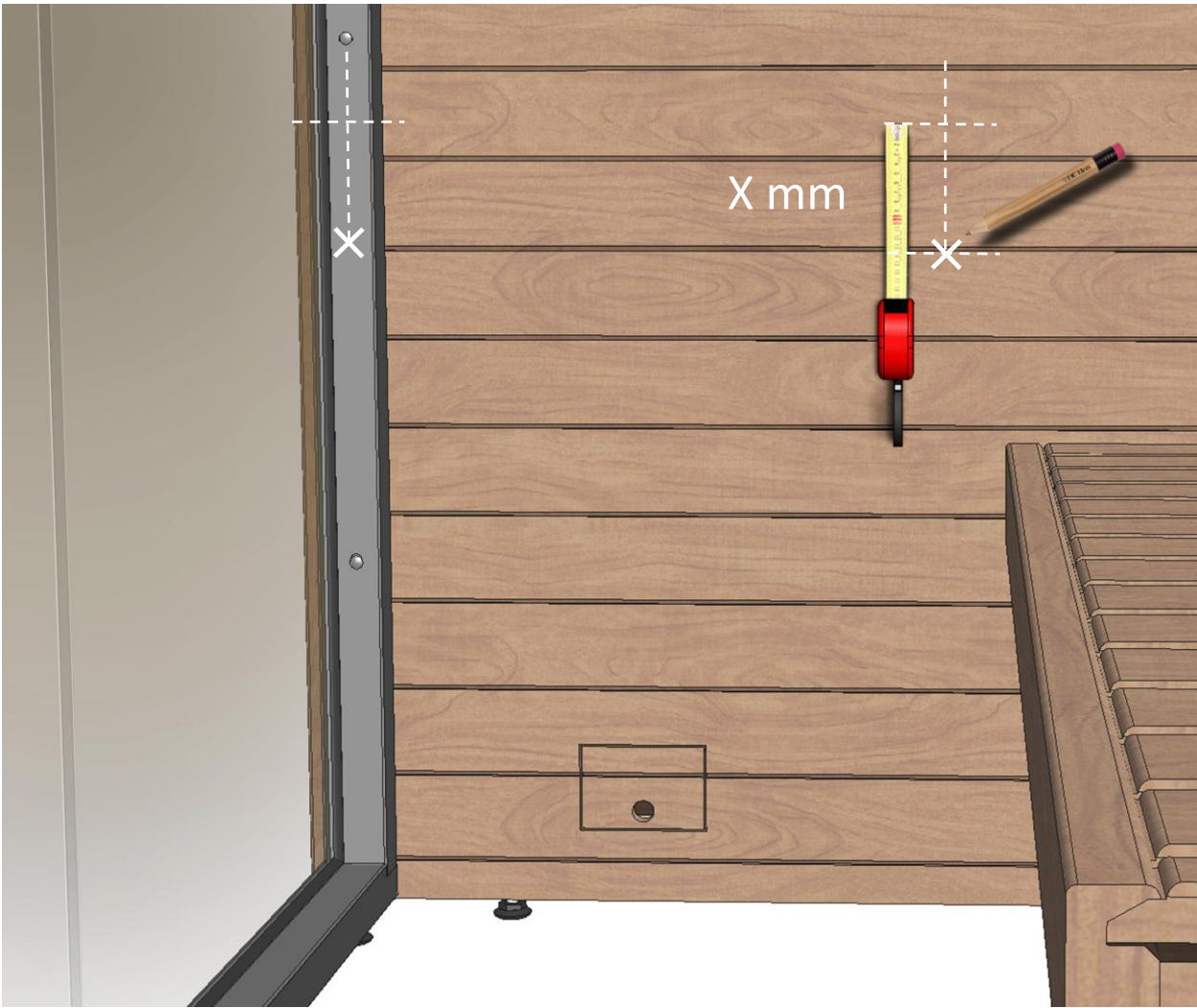
**REAR COVER TRIMS**

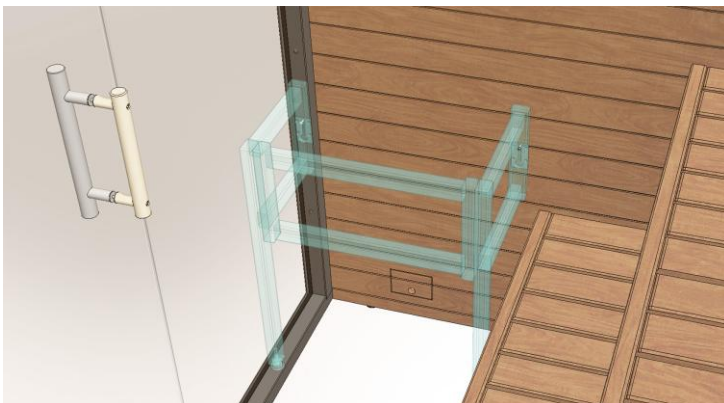
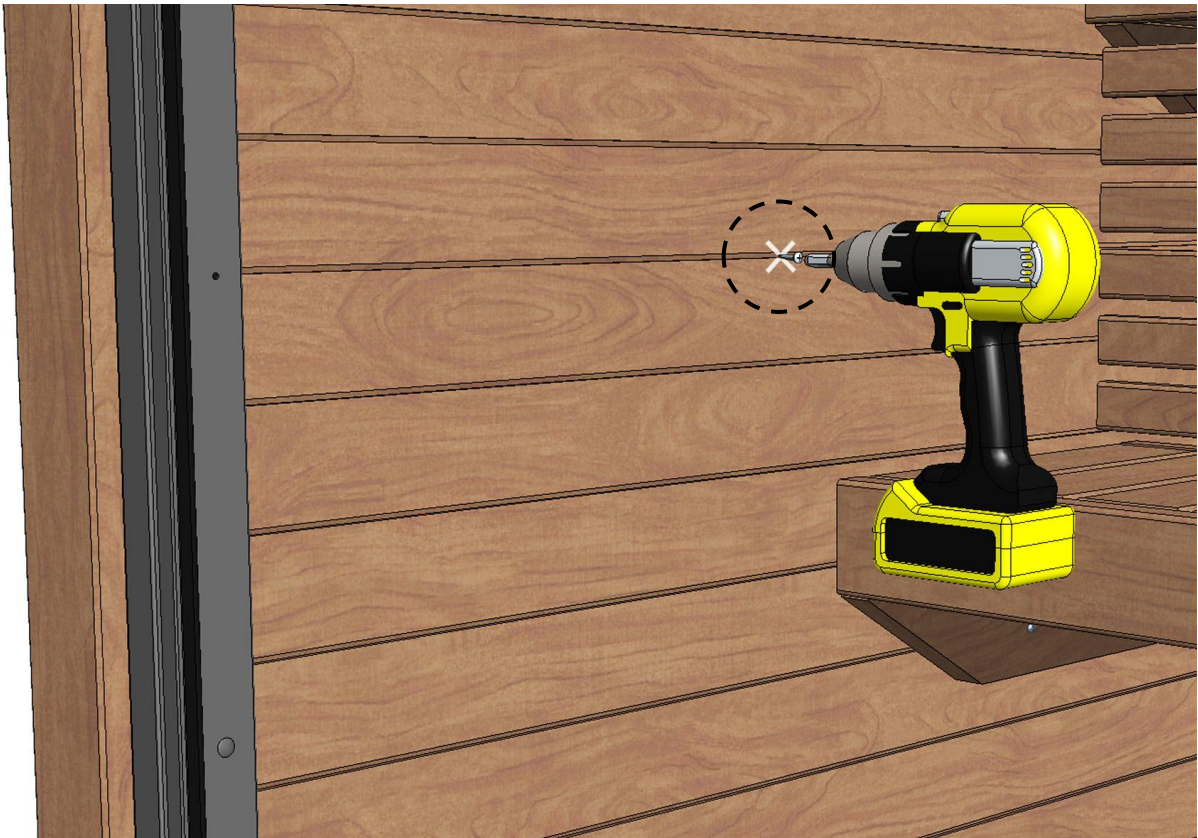
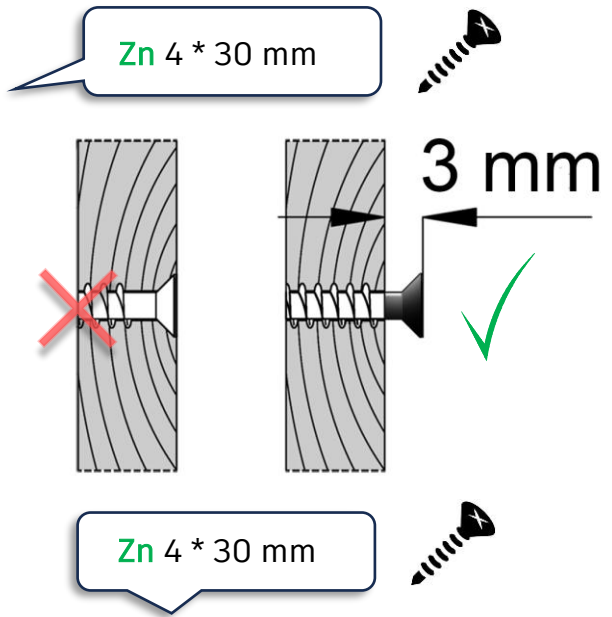


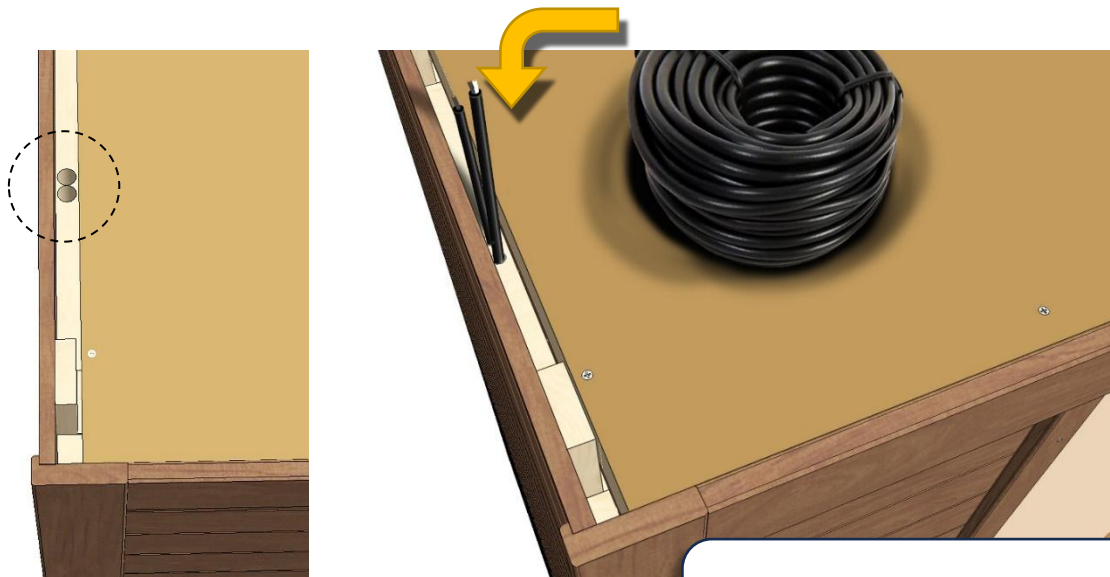
# HEATER GUARD







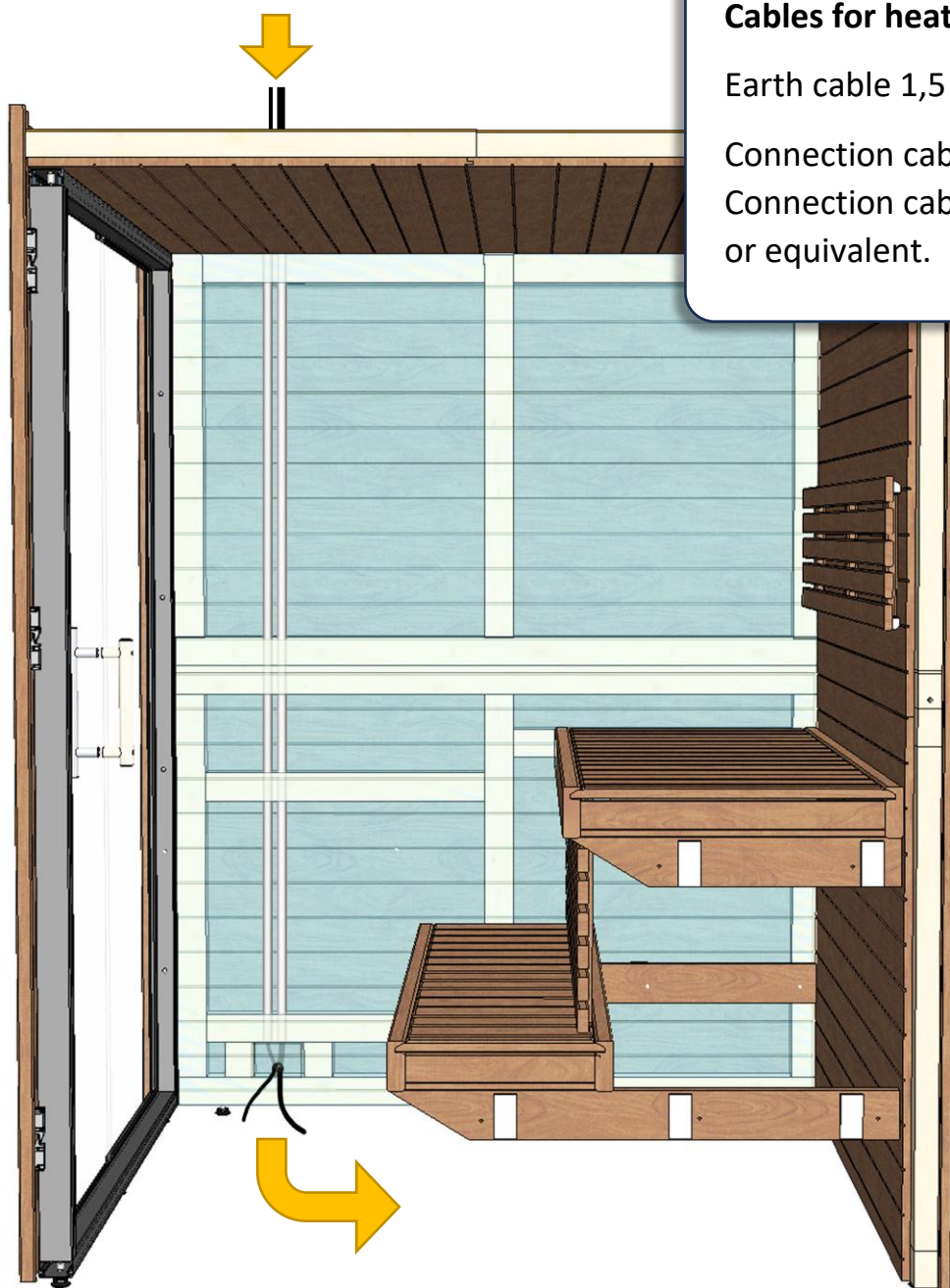




**Cables for heater SW60 (6,0 kW)**

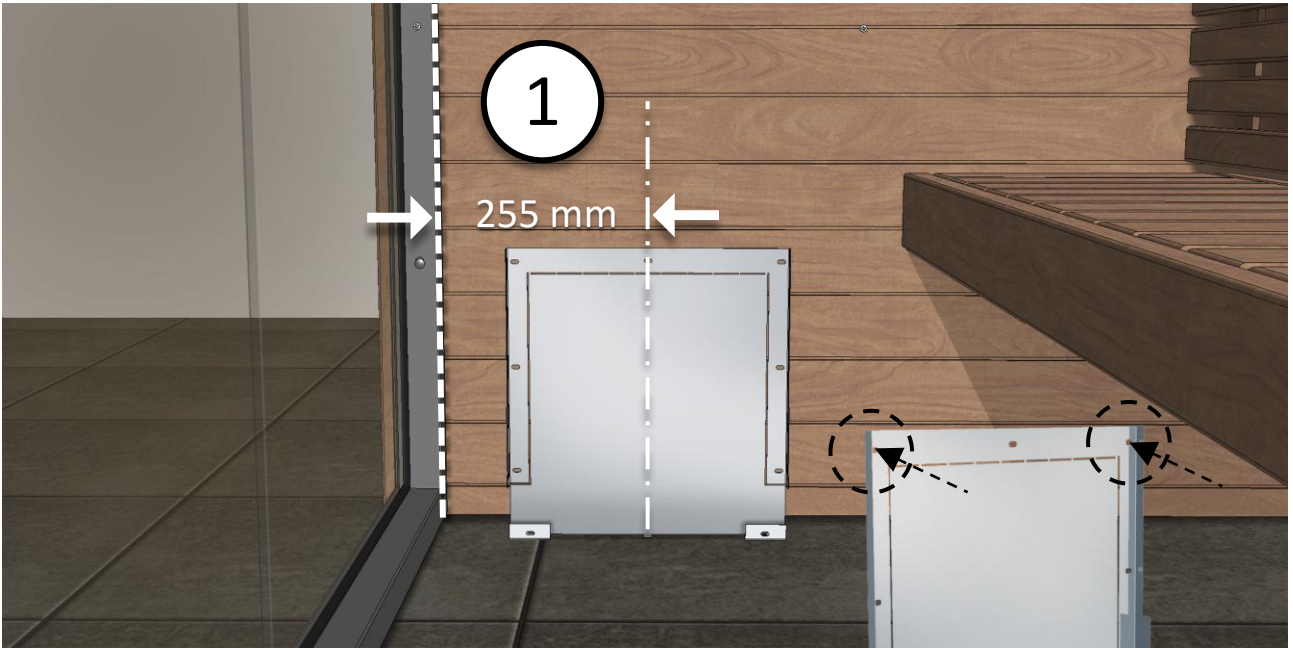
Earth cable 1,5 mm<sup>2</sup>

Connection cable 8 mm<sup>2</sup> x 2C,  
Connection cable type: H07RN-F  
or equivalent.

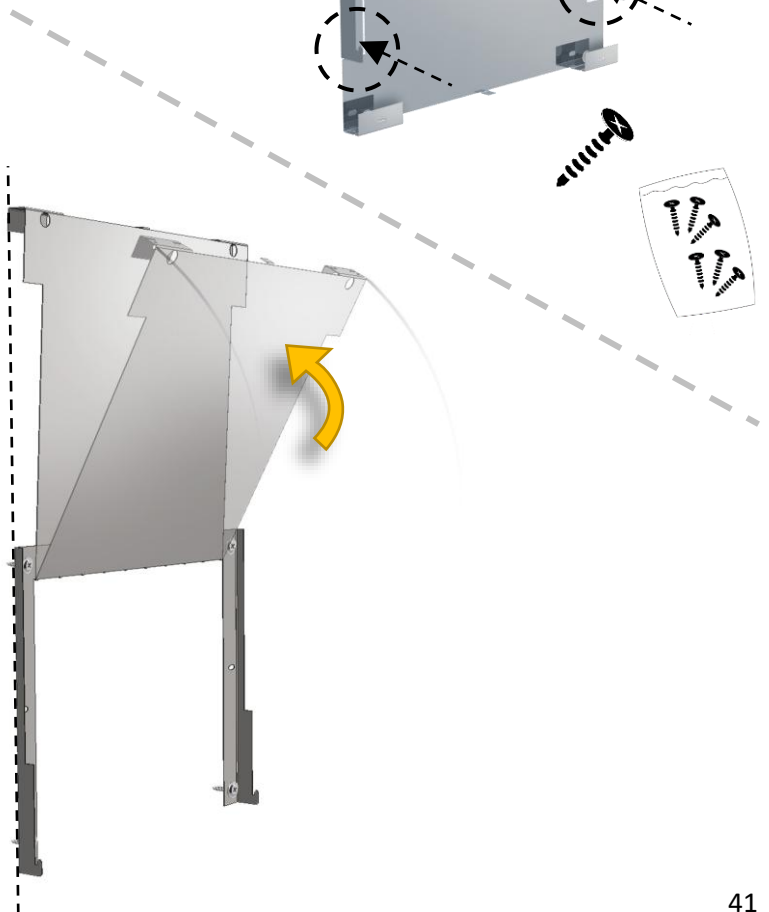


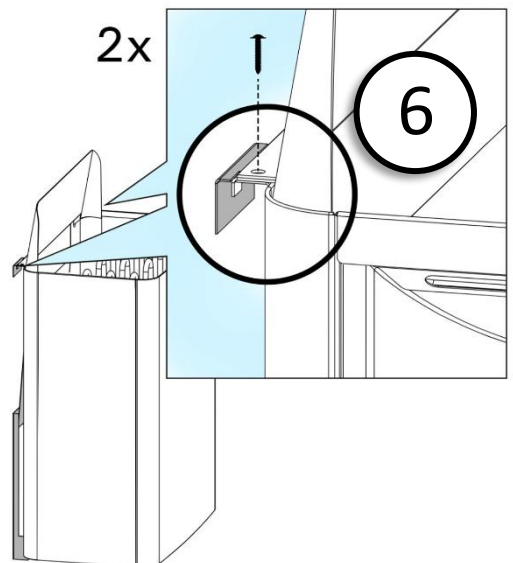
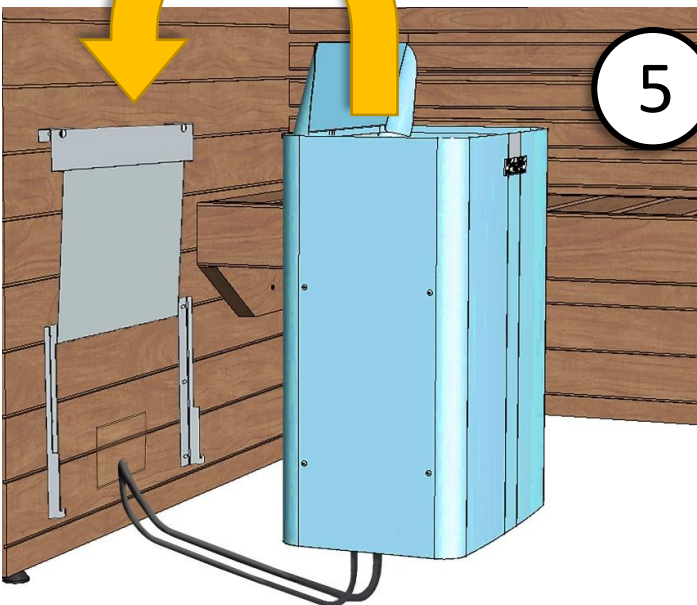
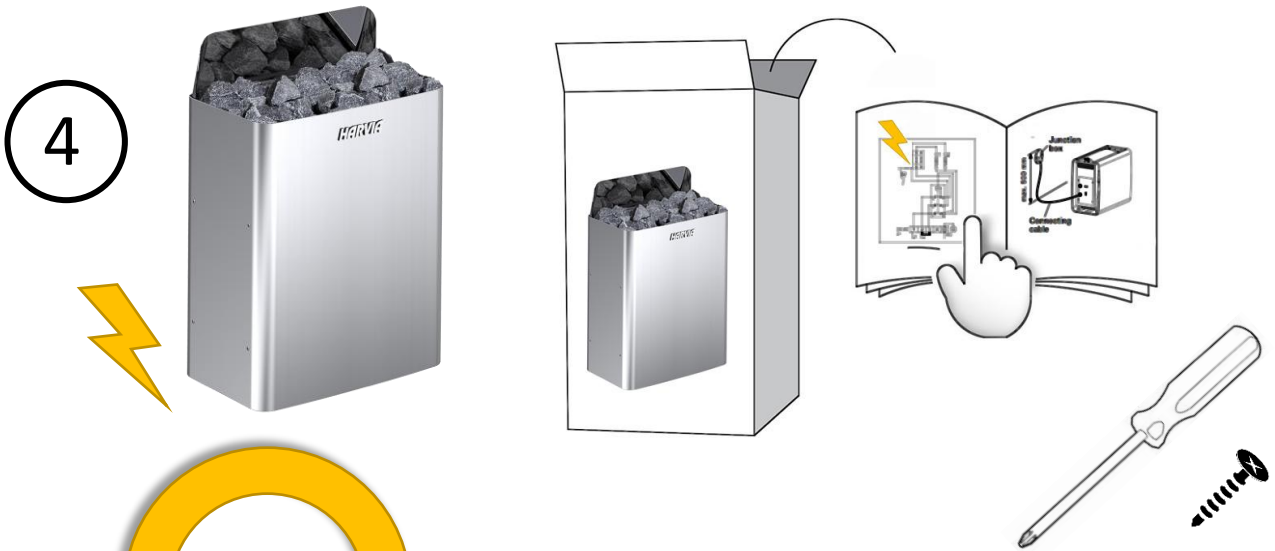
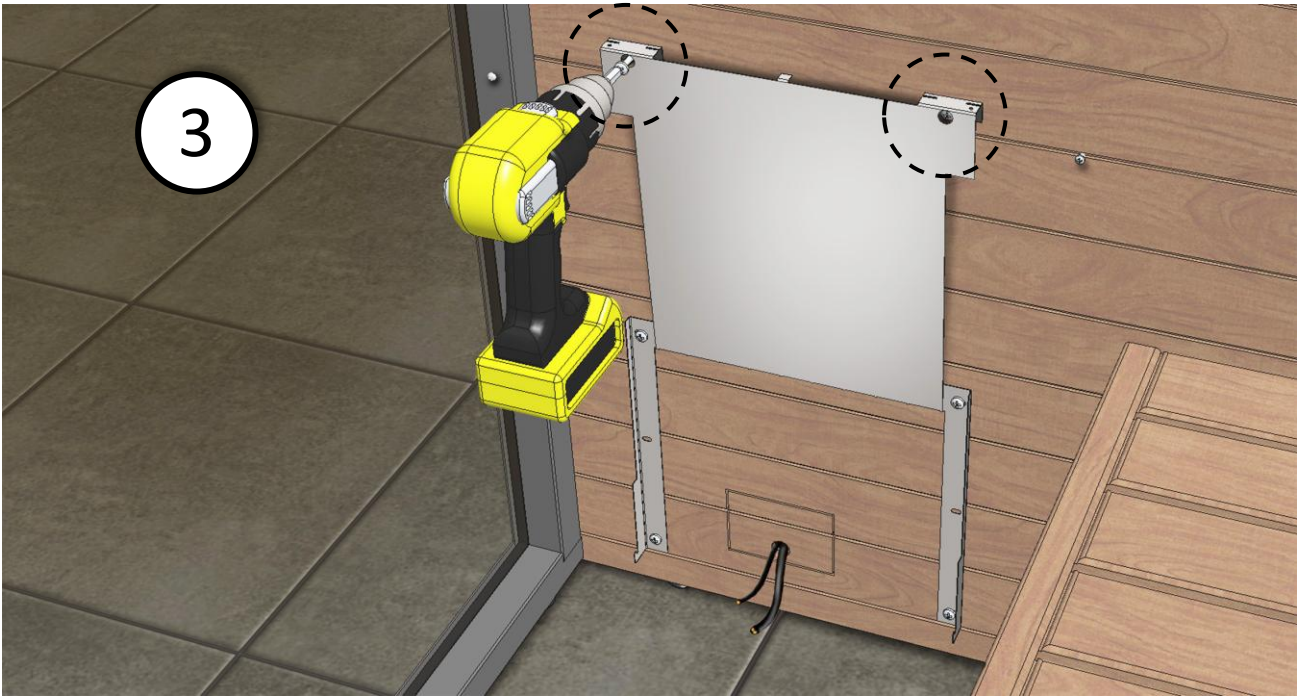


ZVA-008

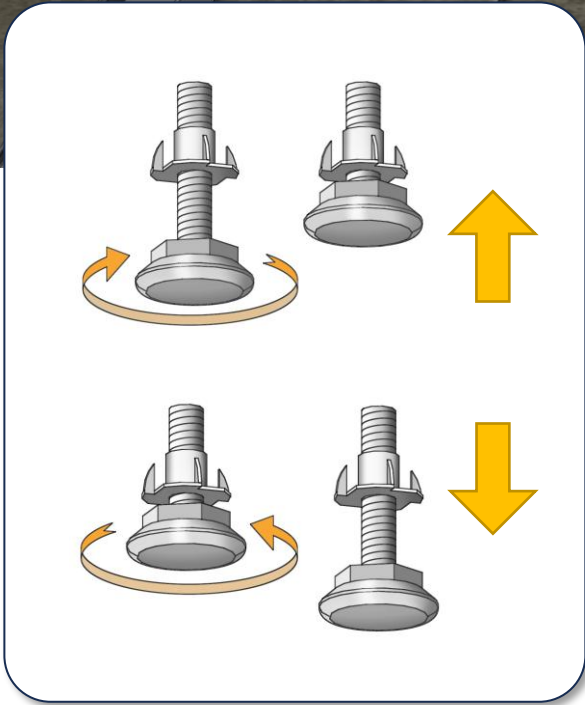
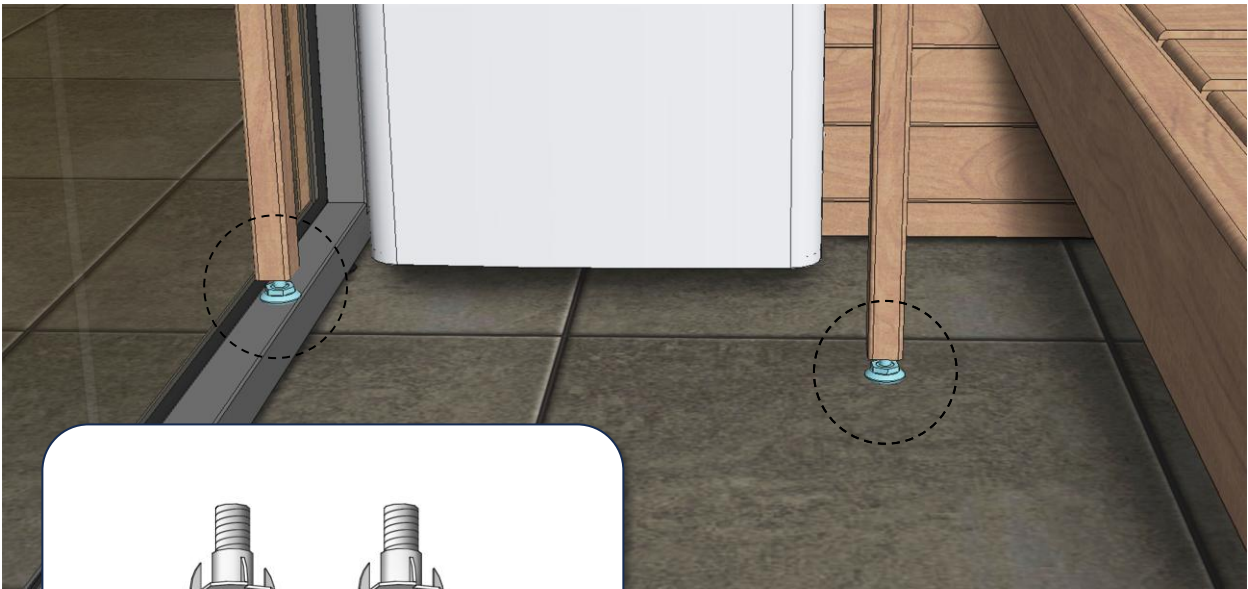


2



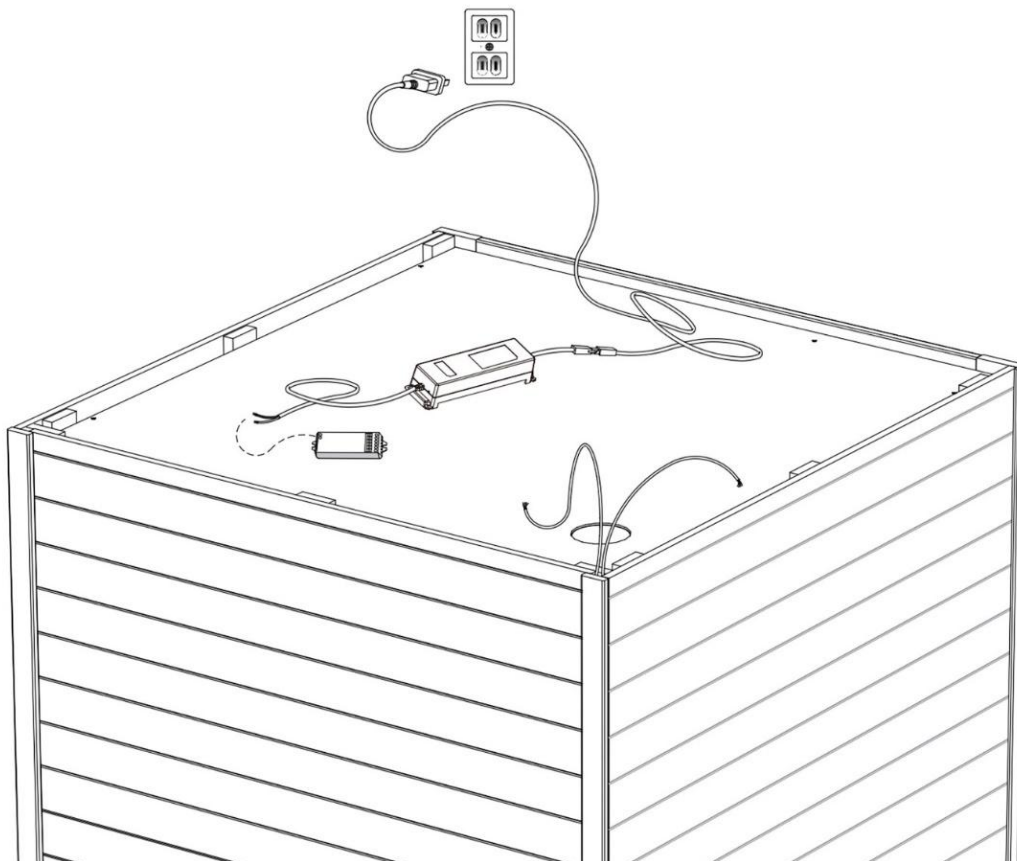
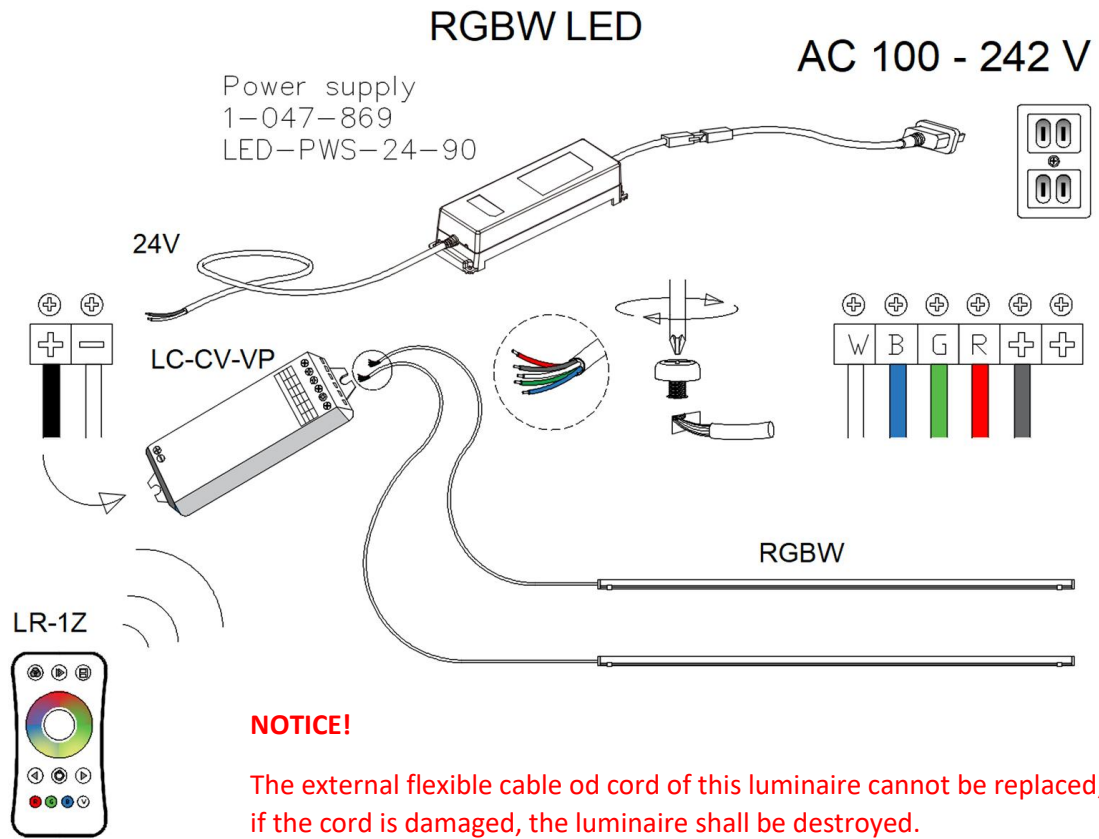






24 mm







NOTES

---

---

---

---

---

---

---

---

---

---



Spare parts:  
[spareparts.harvia.com](http://spareparts.harvia.com)

