

HARVIA VIRTA

HL110400SA

The Virta Combi is a combined electric heater and steamer that provides a variety of sauna experiences.

Advantages

- The Virta Combi is a combined electric heater and steamer with sturdy structure for home sauna and professional use
- The large number of stones guarantees soft and abundant steam. Efficient air circulation heats the sauna very quickly
- Sleek and modern design
- The steamer is on the front behind the maintenance hatch
- The heating elements are separated from the stones, which results in a long heating element life span



Features

Main material : Steel

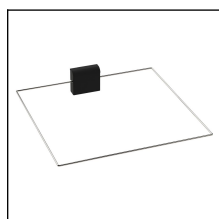
H x W x D : 810.0 x 415.0 x 485.0 mm

Net weight (kg) : 29.6

Installation location : Floor

ID	GTIN	Output (kW)	Sauna room size min - max m3
HL110400SA	6410082613229	11 kW	9.0-18.0

Related products



SFE-500500



HL1



HL4



HL3L

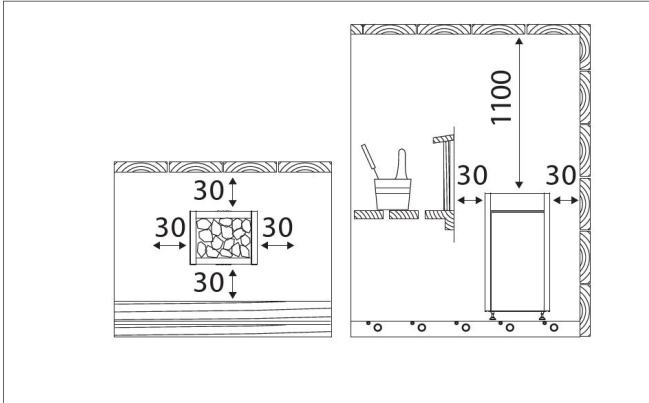
Spare parts

Product	ID	Pcs
Heating element 2000W/230V	ZH-104	1
Heating element 3600W/230V	ZCU-836	3
Soapstone cup 0 46/36	ZH-205	1
Overheating limiter switch 55.13529.100	ZSK-764	1
Thermostat 13322.090 110 Steam	ZSN-250	1
Virta Combi, watertank complete, automat	ZCU-601	1
Water reservoir for HL, assembled	ZCU-115	1
Solenoid valve	ZSS-610	1
Bracket for thermostat	ZH-128	1
Silicon hose pipe 12/16	ZH-175	1
Connection pipe 7/10, silicon	ZH-170	1
Steam guide	ZCU-614	1

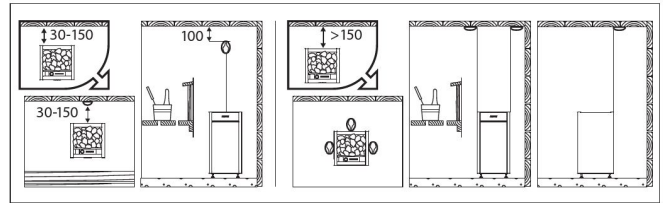
Technical details

Technical data	Type / attribute	HL110400SA
Technical data	Color	Black
	Power output	11 kW
	Stone amount (kg)	70
Dimensions	Product width	415
	Product height	810
	Product depth (mm)	485
	Net weight (kg)	29.6
	Gross weight	32
	Package width	560
	Package height	870
Safety and installation dimensions	Package depth	505
	Safety distance side (non-combustible materials)	30
	Safety distance behind (non-combustible materials)	30
	Safety distance (Ceiling)	1100
	Room min. height(depends on connections and therefore from output, star/delta)	1900

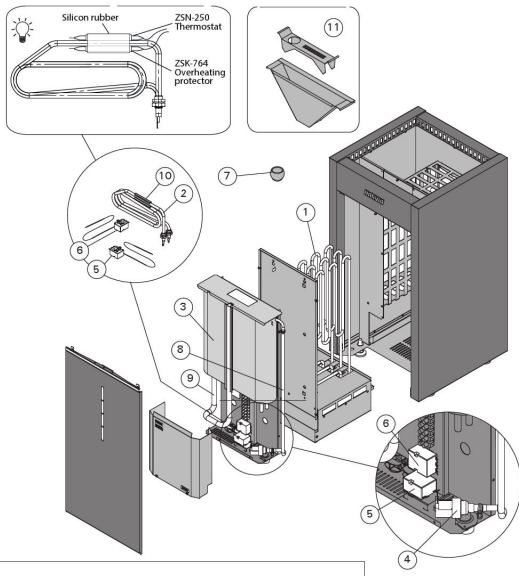
Technical images



Minimum safety distances (all dimensions in millimeters)

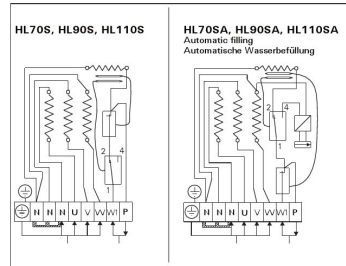


Installing the temperature sensor (all dimensions in millimeters)

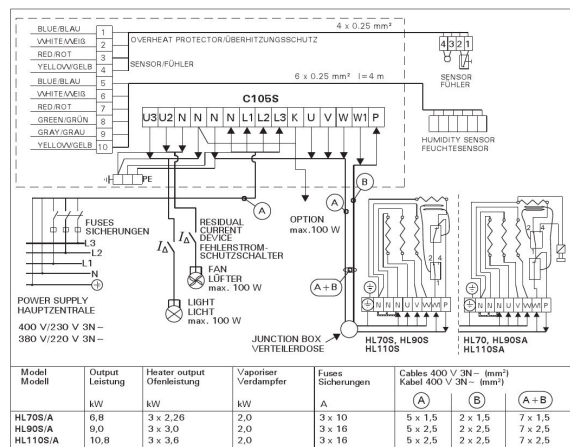


We recommend to use only the manufacturer's spare parts.

1	Heating element 2260 W/230 V Heating element 3000 W/230 V Heating element 3000 W/230 V	Heizelement 2260 W/230 V Heizelement 3000 W/230 V Heizelement 3000 W/230 V	ZCU-823 ZCU-830 ZCU-836	HL70S(A) HL90S(A) HL110S(A)	3 3 3
2	Evaporator heating element, assembled 2000 W/230 V	Heizelement des Verdampfers, montiert 2000 W/230 V	ZH-104		1
3	Water reservoir, assembled	Wassertank, montiert	ZCU-115		1
4	Solenoid valve	Magnetventil	ZSS-610	HL70SA, HL90SA, HL110SA	1
5	Overheating protector 140°C	Überhitzungsschutz 140°C	ZSK-764		1
6	Thermostat 110°C	Thermostat 110°C	ZSN-250		1
7	Soapstone cup	Specksteinbecher	ZH-205		1
8	Silicon hose 7/10	Silikon Schlauch 7/10	ZCU-350 / ZH-170		1
9	Silicon hose 12/16	Silikon Schlauch 12/16	ZCU-352 / ZH-175		1
10	Bracket for thermostat	Thermostat Befestigung	ZH-128		1
11	Steam control	Dampfblech	ZCU-614		1



Electrical connections



Electrical connections of control unit C105S and HLS(A) heater