

CESAR Infrared Heated Chaise Longue

Technical Specification

CESAR EMPIRE



Discover the world's most elegant expression of "thermotherapy".
Natural Infrared Energy embodied in an artisan, marble sculpture.

Description:

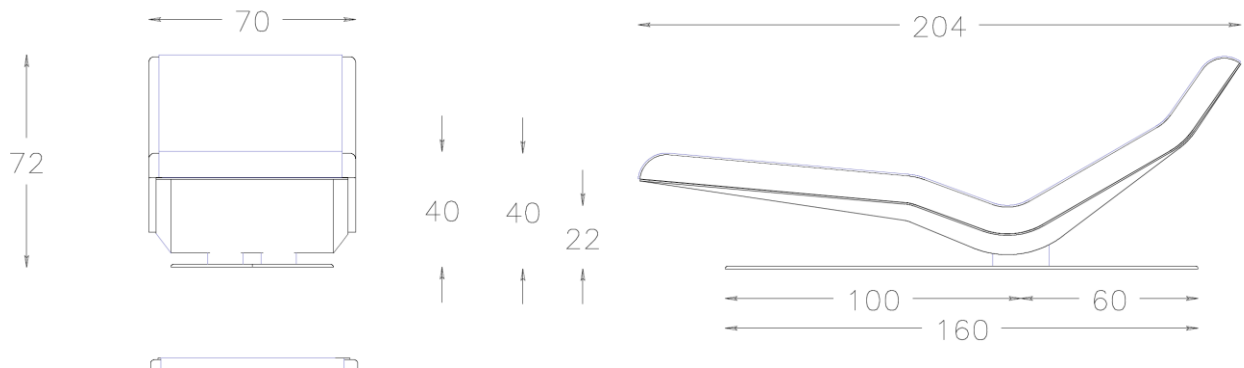
Infra-Red Heated Marble Loungers with Semiprecious Stone and Black Marble on metal construction;
Ergonomically designed;
Internal radiating heat system up to 105°F/41.5°C;
Suitable for both indoors and outdoors;
Maintenance free;
Available with different marbles and colours combination;

Specification:

General protection:	IP54
Temperature:	available up to 41.5°C/105°F
Heated Area standard	1 zone holohedral;
Heating System Standard:	Electric space heating cables
Voltage Standard System:	220-240V/800W; 110-120V/950W
Thermostat:	Digital; IP65 UL-TÜV approved
Power outlet:	European Bosch standard; IP54
Lift for automatic tilting (Upgrade):	Linear actuators; UL-TÜV approved; IP65
Certifications:	UL-TÜV approved components

CESAR Infrared Heated Chaise Longue

Technical Drawings



Construction Base:	Rust-free metal
Construction Base covering:	Fibreglass
Covering finish:	Metallic lacquer
Weight:	225kg
Dimension:	length: 204cm; width 70cm; height: 72cm
Package dim:	length: 220cm; width 80cm; height: 100cm
Package weight:	180kg: total weight 405kg

CESAR Infrared Heated Chaise Longue

Features

- **Our heated loungers** are carved from a single marble block and supported by a highly robust and mobile construction.
- **Contemporary design**, finest materials and elegant colors offers variety and unlimited applications.
- **Digital thermostat** allowing for temperatures up to 41.5°C/105°F.
- **Warmth radiated** by the marble envelops the entire body enhancing its innate regenerative processes.
- **The ergonomic form** and the handcrafted silky smooth surface offer an unmatched comfort.
- **Electro-smog free** Heating System.
- **Hygienically perfect** thanks to the joint-less surface of the marble sculpture.
- **Equipped with** automatic folding system
- **Suitable for** in-outdoor and wet areas (IP54).
- **All components** made in Germany and TÜV-UL approved.
- **Plug in & Play** installation, no further technical or monetary investment is necessary.
- **Five year guarantee** for all electronic and mechanical components.

**Inspirational wellness
experiences & equipment**

**YOUR AUTHORISED
DEALER AND INSTALLER
FOR THE UK**

+44 (0)1428 713 185
sales@leisurequip.com